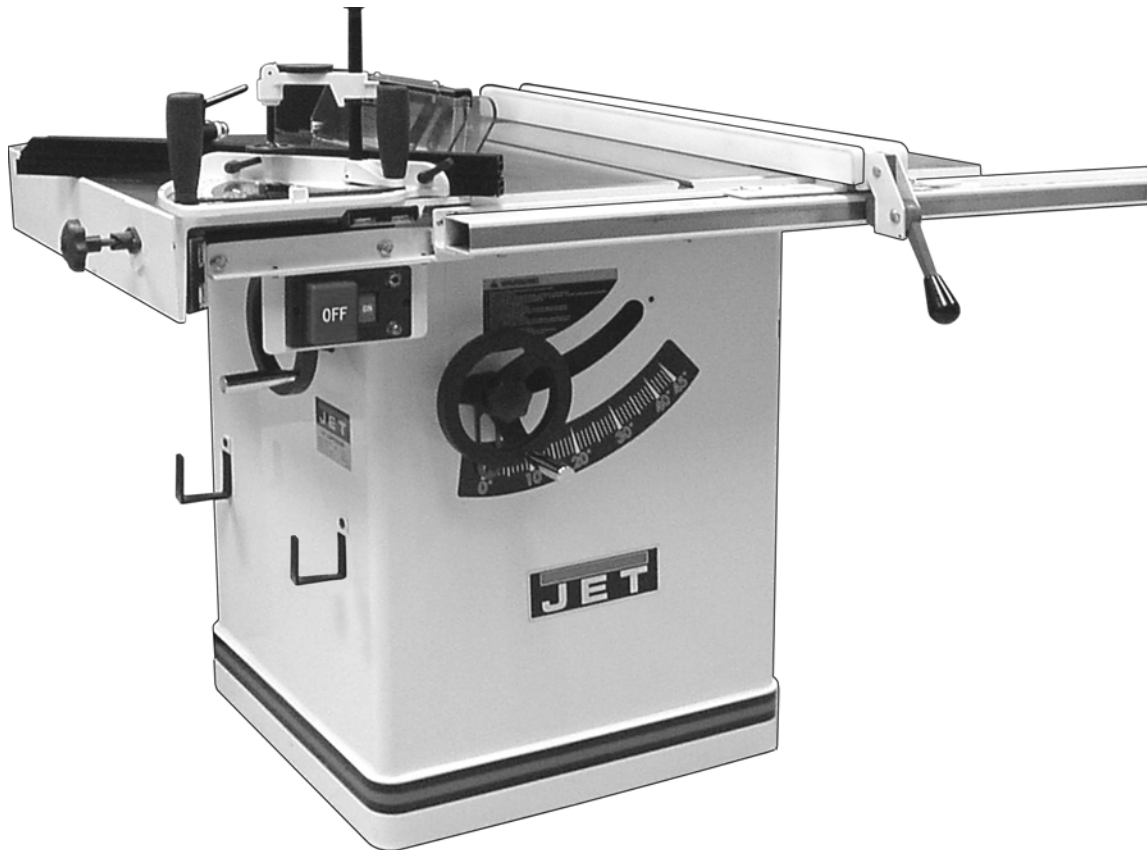




Operating Instructions and Parts Manual

SuperSaw

Model: JWSS-10CS



WMH TOOL GROUP

2420 Vantage Drive
Elgin, Illinois 60124
Ph.: 800-274-6848
www.wmhtoolgroup.com

Part No. M-708781
Revision B 07/06
Copyright © WMH Tool Group

Warranty and Service

WMH Tool Group, Inc., warrants every product it sells. If one of our tools needs service or repair, one of our Authorized Service Centers located throughout the United States can give you quick service. In most cases, any of these WMH Tool Group Authorized Service Centers can authorize warranty repair, assist you in obtaining parts, or perform routine maintenance and major repair on your JET® tools. For the name of an Authorized Service Center in your area call 1-800-274-6848.

MORE INFORMATION

WMH Tool Group is consistently adding new products to the line. For complete, up-to-date product information, check with your local WMH Tool Group distributor, or visit jettools.com.

WARRANTY

JET products carry a limited warranty which varies in duration based upon the product. (MW = Metalworking, WW = Woodworking)

90 DAY WARRANTY	1 YEAR WARRANTY	2 YEAR WARRANTY	5 YEAR WARRANTY	LIFE LIFETIME WARRANTY	
Lathe Accessories Machine Accessories Mobile Bases Safety Equipment Specialty Items Vise Accessories	Air Tools- Contractor Air Tools-Industrial Air Tools-Light Industrial Lubrication	Body Repair Kits Bottle Jacks Cable Pullers Cold Saws Hoists-Air Hoists-Electric Metalforming Mill/Drills Milling Machines MW Bandsaws MW Drill Presses MW Finishing Equipment MW Lathes MW Precision Vises Pallet Trucks	Rigging Equip. Service Jacks Stackers Surface Grinders Tapping Trolleys-Air Trolleys-Electric Web Slings Winches-Electric	<i>Warranty reverts to 1 Year Warranty if woodworking (WW) products listed below are used for commercial, industrial or educational purposes</i> Trolleys-Geared Trolleys-Plain Winches-Manual WW Air Filtration WW Bandsaws WW Buffers WW Drill Presses WW Dust Collectors WW Dust Filters WW Dust Fittings WW Jointers WW Lathes WW Planers WW Sanders WW Shapers WW Tablesaws	Fastening Tools Mechanics Hand Tools Striking Tools Vises (non-precision) Clamps

WHAT IS COVERED?

This warranty covers any defects in workmanship or materials subject to the exceptions stated below. Cutting tools, abrasives and other consumables are excluded from warranty coverage.

WHO IS COVERED?

This warranty covers only the initial purchaser of the product.

WHAT IS THE PERIOD OF COVERAGE?

The general JET warranty lasts for the time period specified in the product literature of each product.

WHAT IS NOT COVERED?

Five Year Warranties do not cover woodworking (WW) products used for commercial, industrial or educational purposes. Woodworking products with Five Year Warranties that are used for commercial, industrial or education purposes revert to a One Year Warranty. This warranty does not cover defects due directly or indirectly to misuse, abuse, negligence or accidents, normal wear-and-tear, improper repair or alterations, or lack of maintenance.

HOW TO GET SERVICE

The product or part must be returned for examination, postage prepaid, to a location designated by us. For the name of the location nearest you, please call 1-800-274-6848.

You must provide proof of initial purchase date and an explanation of the complaint must accompany the merchandise. If our inspection discloses a defect, we will repair or replace the product, or refund the purchase price, at our option.

We will return the repaired product or replacement at our expense unless it is determined by us that there is no defect, or that the defect resulted from causes not within the scope of our warranty in which case we will, at your direction, dispose of or return the product. In the event you choose to have the product returned, you will be responsible for the shipping and handling costs of the return.

HOW STATE LAW APPLIES

This warranty gives you specific legal rights; you may also have other rights which vary from state to state.

LIMITATIONS ON THIS WARRANTY

WMH TOOL GROUP LIMITS ALL IMPLIED WARRANTIES TO THE PERIOD OF THE LIMITED WARRANTY FOR EACH PRODUCT. EXCEPT AS STATED HEREIN, ANY IMPLIED WARRANTIES OR MERCHANTABILITY AND FITNESS ARE EXCLUDED. SOME STATES DO NOT ALLOW LIMITATIONS ON HOW LONG THE IMPLIED WARRANTY LASTS, SO THE ABOVE LIMITATION MAY NOT APPLY TO YOU.

WMH TOOL GROUP SHALL IN NO EVENT BE LIABLE FOR DEATH, INJURIES TO PERSONS OR PROPERTY, OR FOR INCIDENTAL, CONTINGENT, SPECIAL, OR CONSEQUENTIAL DAMAGES ARISING FROM THE USE OF OUR PRODUCTS. SOME STATES DO NOT ALLOW THE EXCLUSION OR LIMITATION OF INCIDENTAL OR CONSEQUENTIAL DAMAGES, SO THE ABOVE LIMITATION OR EXCLUSION MAY NOT APPLY TO YOU.

WMH Tool Group sells through distributors only. The specifications in WMH catalogs are given as general information and are not binding. Members of WMH Tool Group reserve the right to effect at any time, without prior notice, those alterations to parts, fittings, and accessory equipment which they may deem necessary for any reason whatsoever. JET® branded products are not sold in Canada by WMH Tool Group.

Table of Contents

Warranty and Service.....	2
Table of Contents	3
Ordering Replacement Parts	4
Warnings	5
Kickback Prevention.....	7
Protection Tips from Kickback.....	7
Specifications	7
Contents of the Shipping Containers	8
Accessory Package Box.....	8
Sliding Table Box (optional accessory)	8
Left Wing Extension Box (optional accessory)	9
XACTA Fence II Homeshop 30/52	9
Assembly.....	10
Unpacking and Clean-Up	10
Installation Requirements	10
Right Extension Wing Assembly	10
Handwheel Assembly	10
Mounting Rails	11
Mounting Left Extension Wing with Miter Slot	11
Miter Gauge for Left Extension Wing	12
Mounting Sliding Table	12
Sliding Table Miter Gauge.....	14
Mounting the Switch Assembly	15
On-Off Switch Padlock	15
Wooden Extension Table	15
Installation	15
Guide Tube.....	16
XACTA Fence.....	17
Fence Adjustments.....	17
Level with the Saw Table Adjustment.....	17
Parallel to the Miter Slot Adjustment.....	18
Clamping Pressure Adjustment	18
90° to the Table Adjustment	18
Initial Cursor Pre-adjustment	18
Installing the Blade	19
Guide Tube Scale Application	19
Blade Guard Assembly.....	20
Table Insert Adjustment.....	20
Aligning Blade Guard and Splitter	20
Hooks for Miter Gauge and Fence	21
Blade Raising and Tilting Mechanism	21
Electrical Connections.....	21
Grounding Instructions	22
115 Volt Operation.....	22
230 Volt Operation.....	22
Adjustments	23
Blade Alignment	23
XACTA Fence Cursor Adjustment.....	23
Adjusting 45° and 90° Positive Stops.....	24
Wear Adjustment in Raising Mechanism.....	25
Wear Adjustment in Tilting Mechanism	25
Changing Poly V-Belt	26
Changing the Transfer Belt	26
Maintenance.....	27
General Maintenance	27
Blades and Accessories	27

Troubleshooting	28
Parts	29
XACTA Fence II Homeshop 30/52 Fence Assembly	29
Cabinet Assembly.....	30
Guard Assembly	31
Table Assembly	32
Sliding Table Assembly	35
Rail Assembly	38
Motor & Trunnion Parts List.....	40
Wiring Diagrams.....	43

Ordering Replacement Parts

To order parts or reach our service department, call 1-800-274-6848 between 7:30am and 5:30pm (CST), Monday through Friday. Having the Model Number and Serial Number of your machine available when you call will allow us to serve you quickly and accurately.



Warnings

1. Read and understand the entire owners manual before attempting assembly or operation.
2. Read and understand the warnings posted on the machine and in this manual. Failure to comply with all of these warnings may cause serious injury.
3. Replace the warning labels if they become obscured or removed.
4. This Table Saw is designed and intended for use by properly trained and experienced personnel only. If you are not familiar with the proper and safe operation of a Table Saw, do not use until proper training and knowledge has been obtained.
5. Do not use this Table Saw for other than its intended use. If used for other purposes, WMH Tool Group disclaims any real or implied warranty and holds itself harmless from any injury that may result from that use.
6. Always wear approved safety glasses/face shields while using this Table Saw. Everyday eyeglasses only have impact resistant lenses; they are not safety glasses.
7. Before operating this Table Saw, remove tie, rings, watches and other jewelry, and roll sleeves up past the elbows. Remove all loose clothing and confine long hair. Non-slip footwear or anti-skid floor strips are recommended. Do **not** wear gloves.
8. Always use the blade guard on all "through-sawing" operations. A through-sawing operation is one in which the blade cuts completely through the workpiece.
9. Kickback occurs when the workpiece is thrown towards the operator at a high rate of speed. If you do not have a clear understanding of kickback and how it occurs, **DO NOT** operate this table saw!
10. Wear ear protectors (plugs or muffs) during extended periods of operation.
11. Some dust created by power sanding, sawing, grinding, drilling and other construction activities contain chemicals known to cause cancer, birth defects or other reproductive harm. Some examples of these chemicals are:
 - Lead from lead based paint.
 - Crystalline silica from bricks, cement and other masonry products.
 - Arsenic and chromium from chemically treated lumber.
12. Your risk of exposure varies, depending on how often you do this type of work. To reduce your exposure to these chemicals, work in a well-ventilated area and work with approved safety equipment, such as face or dust masks that are specifically designed to filter out microscopic particles.
13. Do not operate this machine while tired or under the influence of drugs, alcohol or any medication.
14. Make certain the switch is in the **OFF** position before connecting the machine to the power supply.
15. Make certain the machine is properly grounded.
16. Make all machine adjustments or maintenance with the machine unplugged from the power source.
17. Remove adjusting keys and wrenches. Form a habit of checking to see that keys and adjusting wrenches are removed from the machine before turning it on.
18. Keep safety guards in place at all times when the machine is in use. If removed for maintenance purposes, use extreme caution and replace the guards immediately.
19. Make sure the Table Saw is firmly secured to the floor or bench before use.
20. Check damaged parts. Before further use of the machine, a guard or other part that is damaged should be carefully checked to determine that it will operate properly and perform its intended function. Check for alignment of moving parts, binding of moving parts, breakage of parts, mounting and any other conditions that may affect its operation. A guard or other part that is damaged should be properly repaired or replaced.



Warnings

21. Provide for adequate space surrounding work area and non-glare, overhead lighting.
22. Keep the floor around the machine clean and free of scrap material, oil and grease.
23. Keep visitors a safe distance from the work area. **Keep children away.**
24. Make your workshop child proof with padlocks, master switches or by removing starter keys.
25. Give your work undivided attention. Looking around, carrying on a conversation and “horse-play” are careless acts that can result in serious injury.
26. Maintain a balanced stance at all times so that you do not fall into the blade or other moving parts. Do not overreach or use excessive force to perform any machine operation.
27. Use the right tool at the correct speed and feed rate. Do not force a tool or attachment to do a job for which it was not designed. The right tool will do the job better and safer.
28. Use recommended accessories; improper accessories may be hazardous.
29. Maintain tools with care. Keep saw blades sharp and clean for the best and safest performance. Follow instructions for lubricating and changing accessories.
30. Turn off the machine before cleaning. Use a brush or compressed air to remove chips or debris — do not use your hands.
31. Do not stand on the machine. Serious injury could occur if the machine tips over.
32. Never leave the machine running unattended. Turn the power off and do not leave the machine until it comes to a complete stop.
33. Remove loose items and unnecessary work pieces from the area before starting the machine.

Familiarize yourself with the following safety notices used in this manual:



This means that if precautions are not heeded, it may result in minor injury and/or possible machine damage.



This means that if precautions are not heeded, it may result in serious injury or possibly even death.

⚠WARNING

The most common accidents among table saw users, according to statistics, can be linked to kickback, the high-speed expulsion of material from the table that can strike the operator. Kickback can also result in operator's hands being pulled into the blade.

Kickback Prevention

Tips to avoid the most common causes of kickback:

- Make sure the blade splitter is always aligned with the blade. A workpiece can bind or stop the flow of the cut if the blade splitter is misaligned and result in kickback.
- Use the blade splitter during every cut. The blade splitter maintains the kerf in the workpiece, which will reduce the chance of kickback.
- Never attempt freehand cuts. The workpiece must be fed perfectly parallel with the blade, otherwise kickback will likely occur. Always use the rip fence or crosscut fence to support the workpiece.
- Make sure that the rip fence is parallel with the blade. If not, the chances of kickback are very high. Take the time to check and adjust the rip fence.
- Feed cuts through to completion. Anytime you stop feeding a workpiece that is in the middle of a cut, the chance of binding, resulting in kickback, is greatly increased.

Protection Tips from Kickback

Kickback can happen even if precautions are taken to prevent it. Listed below are some tips to protect you if kickback DOES occur:

- Stand to the side of the blade when cutting. An ejected workpiece usually travels directly in front of the blade.
- Wear safety glasses or a face shield. Your eyes and face are the most vulnerable part of your body.
- Never place your hand behind the blade. If kickback occurs, your hand will be pulled into the blade.
- Use a push stick to keep your hands farther away from the moving blade. If a kickback occurs, the push stick will most likely take the damage that your hand would have received.

Specifications

Stock Number	708781
Blade Diameter	10"
Arbor Diameter	5/8"
Maximum Depth of Cut	3-1/8"
Maximum Thickness at 45° Cut	2-1/4"
Table in Front of Saw Blade at Maximum Cut	11-3/8"
Maximum Width of Dado	13/16"
Maximum Diameter of Dado	8"
Dust Port Diameter	4"
Table Height	35"
Extension Size	27"D x 10"W
Main Table Size	27" D x 21"W
Sliding Table Size	27"D x 14"W
Arbor Speed	4000 RPM
Motor	1-3/4 HP, 1Ph, 115V/230V prewired 115V
Net Weight (approx.)	436 lbs.

The specifications in this manual are given as general information and are not binding. WMH Tool Group reserves the right to effect, at any time and without prior notice, changes or alterations to parts, fittings, and accessory equipment deemed necessary for any reason whatsoever.

⚠WARNING Read and understand the entire contents of this manual before attempting assembly or operation! Failure to comply may cause serious injury

Contents of the Shipping Containers

- 1 Table saw
- 1 Right Wing Extension
- 1 Splitter Guard Assembly
- 1 Accessory Package
- 1 Owner's Manual
- 1 Warranty Card

Accessory Package Box

- 1 Splitter Guard Assembly (A)
- 2 Miter Gauge Hooks (B)
- 2 Fence Hooks (C)
- 2 Handwheel Knobs (D)
- 2 Handwheels (E)
- 2 Handles (F)
- 1 Push stick (G)
- 1 Arbor Wrench (H)
- 1 Hex Wrench 3mm (J)

Hardware Bag

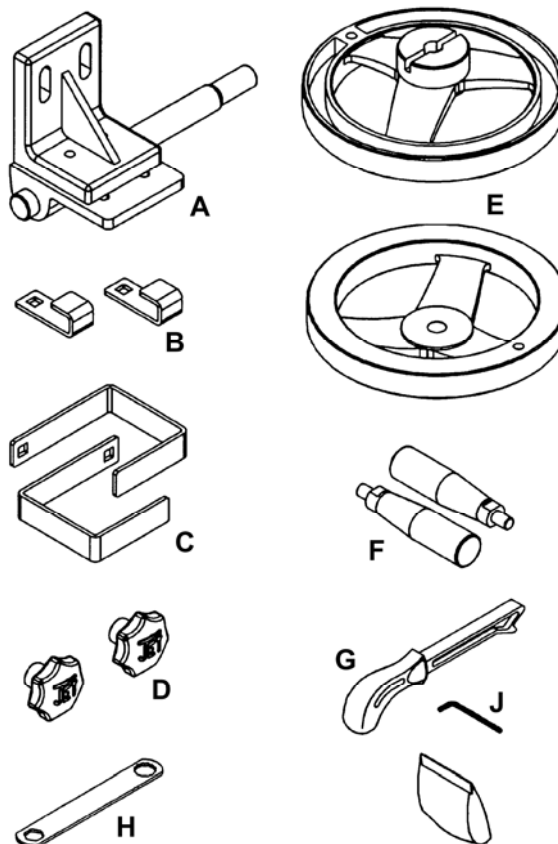
- 4 Carriage Bolts M8x16
- 4 Flat Washers M8
- 4 Hex Nuts M8
- 4 Lock Washer M8

Sliding Table Box (optional accessory)

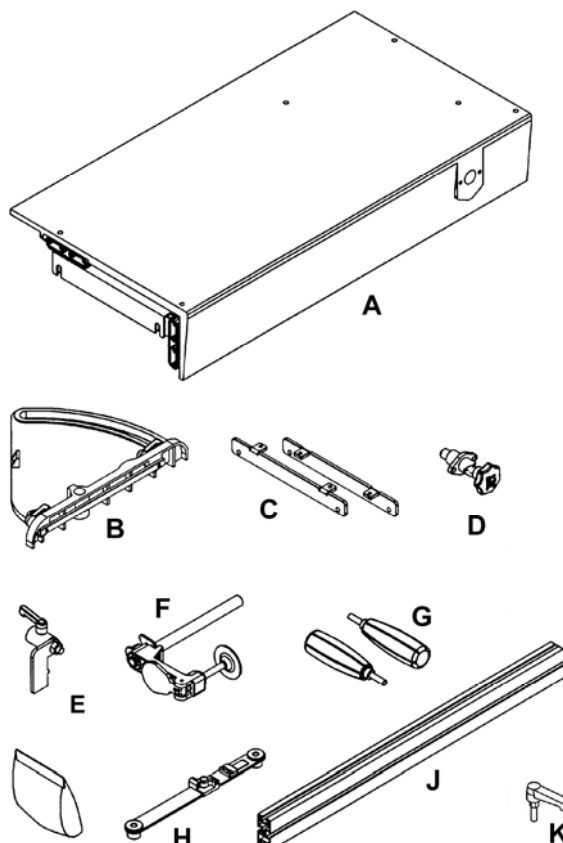
- 1 Sliding Table (A)
- 2 Sliding Table Leveling Brackets (C)
- 1 Sliding Table Lock Knob Assembly (D)
- 1 Miter Gauge (B)
- 2 Miter Gauge Handles (G)
- 1 Miter Gauge Lock Handles (K)
- 1 Miter Gauge Fence (J)
- 1 Miter Gauge Indicator Bracket (H)
- 1 Miter Gauge Clamp (F)
- 1 Miter Gauge Stop (E)
- 2 90° Shims
- 2 Flat Shims
- 1 Locking Handle

Hardware Bag

- 4 Hex Head Screws M8x25
- 8 Flat Washers M8
- 4 Hex Nut M8
- 4 Socket Head Cap Screws M6x25
- 2 Hex Socket Button Screws M6x12
- 4 Hex Nut M6
- 1 Hex Wrench 2.5mm



Contents of Accessory Package



Contents for Sliding Table Box

Left Wing Extension Box (optional accessory)

- 1 Left Wing Extension w/Miter Slot
- 1 Miter Gauge
- 1 Miter Gauge Bar
- 1 Miter Gauge Handle
- 1 Miter Gauge Fence

Hardware Bag

- 4 Socket Head Cap Screws M10x90
- 4 Lock Washers M10
- 4 Flat Washers M10
- 1 Hex Wrench 8mm

XACTA Fence II Homeshop 30/52

Box One:

- 1 XACTA Fence II
- 1 Lock Lever Knob

Box Two:

- 1 Front Rail
- 1 Back Rail
- 1 Guide Tube
- 2 Black Plastic End Caps

Hardware Bag consisting of:

Quantities for 30" and 52" Rails			
Size	Part	30"	52"
1/4-20 x 1-1/2	Hex Cap Screws	6	7
1/4-20 x 3/4	Hex Cap Screws	5	7
1/4	Flat Washer	19	23
1/4	Lock Washers	13	16
1/4	Hex Nuts	6	7
1/4-20 x 1/2	Hex Cap Screws	2	2
M8 x 16	Socket Head Cap Screw	4	4
M8	Flat Washer	4	4
M8	Lock Washers	4	4

Notes: The hardware should be packed in the guide rail along with the end caps.

The contents of the hardware bag (shown at right) are drawn full scale.

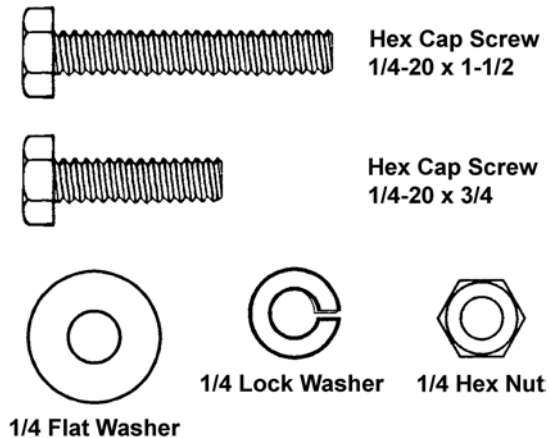
Note 1: Quantities for items in the hardware bag are for the 52" rail system. If you purchased the 30" rail system, there will be extra hardware.

Note 2: If the optional wooden extension table is not used, there will be extra hardware.

Tools Required for Assembly

- 1 8mm Box Wrench
- 1 10mm Box Wrench
- 1 12mm Box Wrench
- 2 13mm Box Wrench
- 1 14mm Box Wrench
- 1 17mm Box Wrench
- 2 10mm Open End Wrenches
- 1 #2 Cross Point Screwdriver
- 1 #3 Cross Point Screwdriver
- 1 2.5mm Hex Wrench
- 1 3mm Hex Wrench
- 1 4mm Hex Wrench
- 1 5mm Hex Wrench
- 1 6mm Hex Wrench
- 1 Straight Edge
- 1 Combination Square
- 1 Combination Square & Straight Edge
- 1 Electric Drill
- 1 1/4", 3/16, 5/16" Drill Bits
- 2 4"-6" C-Clamps

Metric Wrench Set or 6"-8" Adjustable Wrench
Metric Hex Wrench Set



Contents of Hardware Bag

Assembly

Unpacking and Clean-Up

⚠WARNING Do not connect the table saw to the power source until assembly has been completed! Failure to comply may cause serious injury!

- **Tool:** 12mm Wrench

1. Remove all contents from the shipping container. Do not discard any shipping material until the saw is set up and running satisfactorily.
2. Carefully move saw to its final location.
3. Remove the dust baffle from the cabinet (refer to page 30, Items 11 and 12).
4. Remove the hex cap screws from skid bottom.
5. With help from another person lift the saw off the skid and into position.
6. Install the dust baffle in the cabinet.

Installation Requirements

The final location for the saw must be level, dry, well lighted, and have enough room to allow movement around the saw with long workpieces.

Right Extension Wing Assembly

Hardware: (3) M10x30 Hex Cap Screws, (3) M10 Lock Washers, (3) M10 Flat Washers & (1) Extension Wing

Tools: 17mm Wrench, Straight Edge

Refer to Figures 1 and 2:

1. Attach *right extension wing* (A) to the *table* (B) with three each *hex cap screws* (C), *lock washers* (D) and *flat washers* (E). Snug but do not tighten.
2. Slide extension wing toward the front edge of the saw table until two faces are flush.
3. Using a straight edge (F, Fig. 2), align the extension wings to the saw table and tighten the hex cap screws.

Handwheel Assembly

Hardware: (2) Handles, (2) Handwheels & (2) Lock Knobs

Tool: 14mm Wrench

Referring to Figure 3:

1. Slide the *handwheel* (A) onto the *shaft* (B); make sure that the *spring pin* on the shaft lines up with the *slot* on the handwheel.

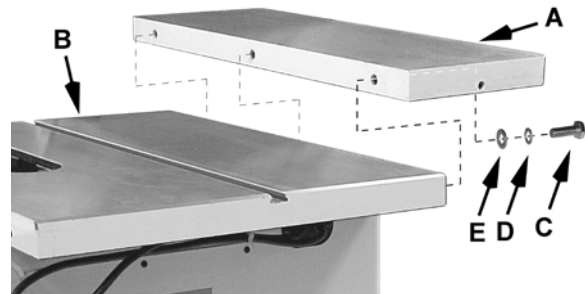


Figure 1

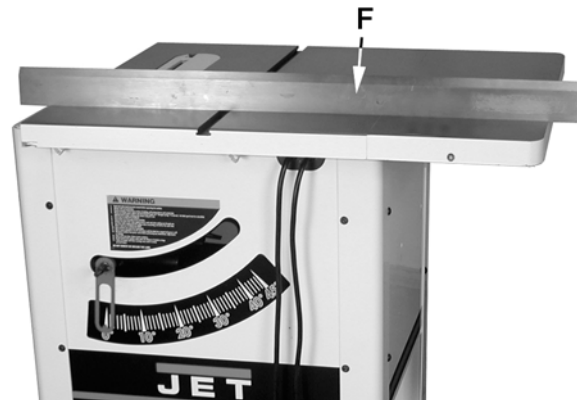


Figure 2

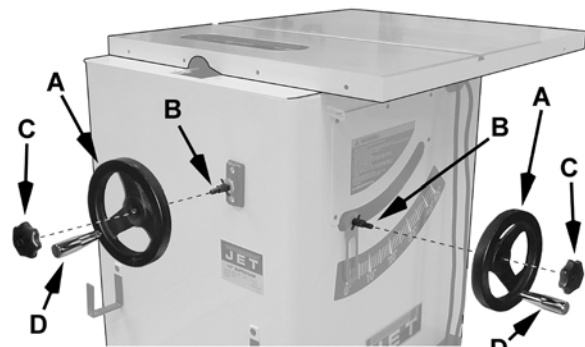


Figure 3

2. Thread center *lock knobs* (C) into the *shaft* (B).
Note: The knobs will allow you to lock the blade into a certain height, or angle.
3. Thread the *handles* (D) into the *handwheels* and tighten with a wrench.

Mounting Rails

Hardware: Front Rail, Rear Rail, (4) M8x16 Socket Head Cap Screws, (4) M8 Flat Washers, (4) Lock Washers, (2) 1/4-20 x 1-1/2 Hex Cap Screws, (4) 1/4" Flat Washers, (2) 1/4" Lock Washers, (2) 1/4" hex nuts.

Tools: 6mm hex wrench, two 13mm wrenches

Refer to Figures 4 and 5.

1. Mount the *front rail* (A) to the underside of the *table* (B) with two *socket head cap screws* (C), two *lock washers* (D), and two *M8 flat washers* (E).
2. Insert a 1/4-20 x 1/2 *hex cap screw* (F) through a 1/4" *flat washer* (G), the *front rail* (A) and *extension wing* (H). Secure the screw to the extension wing with a 1/4" *washer* (G), 1/4" *lock washer* (J) and 1/4" *hex nut* (K).
3. Mount the *rear rail* (L) to the backside of the table (M) with two *socket head cap screws* (N), two *lock washers* (O) and two *M8 flat washers* (P).
4. Insert a 1/4-20 x 1/2 *hex cap screw* (F) through a 1/4" *flat washer* (G), the *front rail* (A) and *extension wing* (H). Secure the screw to the extension wing with a 1/4" *washer* (G), 1/4" *lock washer* (J) and 1/4" *hex nut* (K).

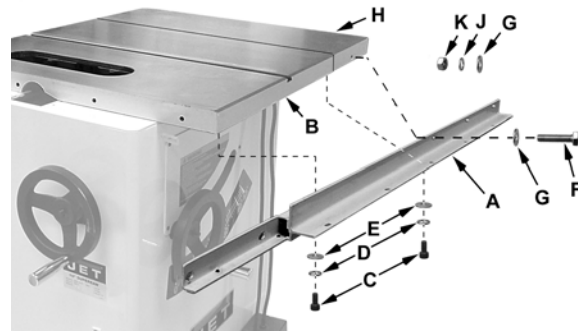


Figure 4

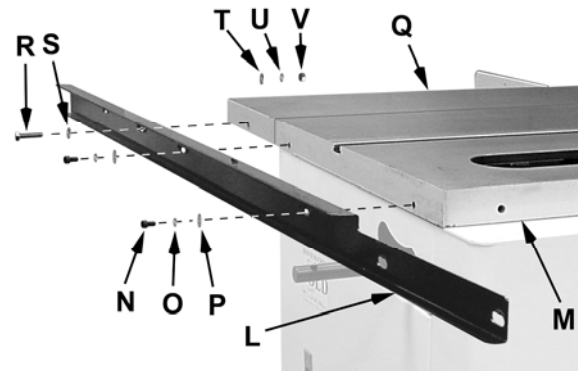


Figure 5

Mounting Left Extension Wing with Miter Slot

Note: If you have a sliding table, skip this section and proceed to the *Mounting Sliding Table* section.

Hardware: Left Extension Wing, (4) M10x90 Socket Head Cap Screws, (4) M10 Lock Washer, (4) Flat Washers

Tools: Cross Point Screw Driver, Straight Edge, Rubber Mallet, 8mm Hex Wrench

Referring to Figure 6:

1. Remove the arbor pulley guard (A). This is only needed for the sliding table.
2. Attach left extension wing (B) to the table with four socket head cap screws, four lock washers and four flat washers (C). Snug but do not tighten.
3. Slide extension wing toward the front edge of the saw table until two faces are flush.
4. Place a straight edge across the table and left extension wing. Align the extension wing the same height as the saw table and tighten socket head cap screws.

Note: Use a rubber mallet to align wing with table.

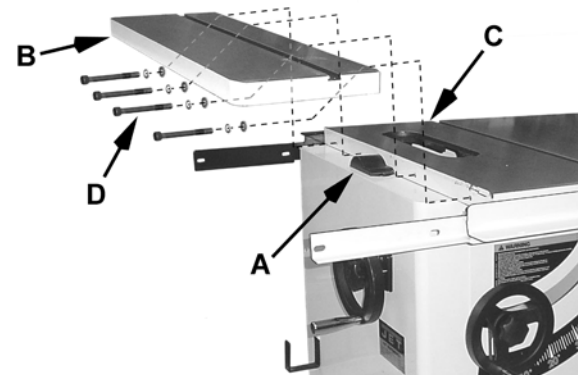


Figure 6

Miter Gauge for Left Extension Wing

Hardware: Miter Gauge

Tools: Cross Point Screw Driver, Square

1. Change the angle on the miter gauge by loosening handle (E, Fig. 7) and turning the fence (F, Fig. 7) to desired angle. To move gauge beyond index stops of 45° and 90°, flip back the stop (G, Fig. 7).
2. Adjust index stops by turning one of three adjustment screws (H, Fig. 7). Use a square to verify that the fence is 90° to the saw blade, see Figure 7.
3. Slide fence to the left, or right by loosening handle (I, Fig. 7). Make sure fence does not interfere with the blade when cutting.

⚠WARNING The fence on the miter gauge must not contact the saw blade! Failure to comply may cause serious injury!

Note: You can adjust the play in the miter gauge by tightening the set screws (J, Fig. 7).

Note: Always make test cuts to verify the angle.

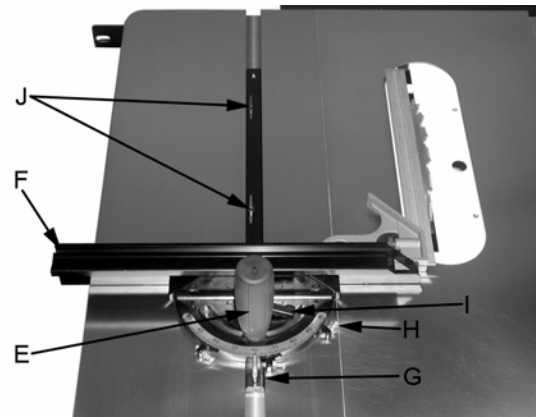


Figure 7

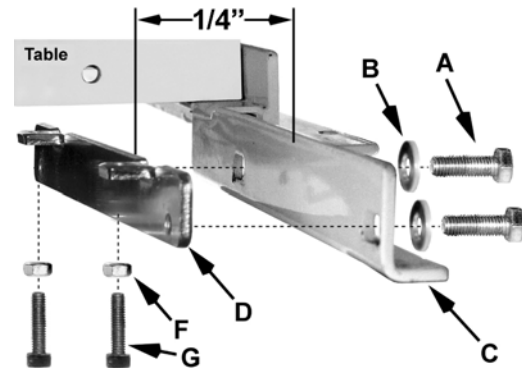


Figure 8

Mounting Sliding Table

Hardware: Sliding Table, (4) M8x25 Hex Cap Screws, (4) M8 Hex Nuts, (8) M8 Flat Washers, (4) M6 Hex Nuts, (4) M6x25 Socket Head Cap Screws, (2) Flat Shims & (2) 90° Shims

Tools: Straight Edge, (2) 13mm Wrenches, 10mm Wrench, 5mm Hex Wrench

Referring to Figure 8:

The procedure for installing the *leveling brackets* is the same for front rail and back rail. The illustration (Figure 8) shows the front rail.

1. Thread two M6 *hex nuts* (F) all the way onto the four M6x25 *socket head cap screws* (G) and thread the screws into the *leveling bracket* (D).
2. Place two washers (B) on two M8x25 *hex cap screws* (A). Insert through the mounting slots of the *front rail* (C) and secure to the threaded holes of the *leveling bracket* (D). Position the leveling bracket (D) to be about 1/4" from the front rail (C).
3. Install the remaining *leveling bracket* onto the back rail repeating the procedure outlined in *Steps 1 and 2*.

Note: The *arbor pulley guard* (H, Fig. 9) should already be attached to the saw cabinet.

4. Mount table *lock knob* (J, Fig. 9) to the *sliding table* (K, Fig. 9) with two M6x12 *socket head screws*. Rotate knob 90° to engage/disengage

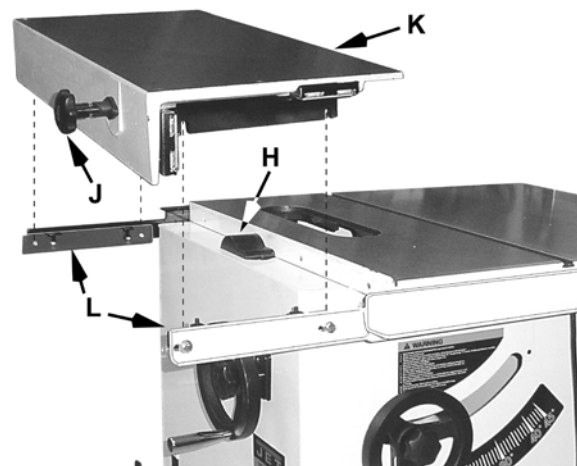


Figure 9

the lock.

⚠WARNING Make sure that the *lock knob* is in the locked position and that the *table is locked* (does not slide on its support plate). Failure to do so could result in injury when attempting installation!

Read steps 5-7 carefully before attempting to mount the sliding table.

5. Ensure that there is approximately a 1/4" gap between *rails* and the *brackets* (C & D, Fig. 8) so that you can set the sliding table in position.
6. Place the sliding table (K, Fig. 9) onto the leveling brackets (L, Fig. 9).

The support plate underneath the sliding table (Figure 10) has an *inner tab* (A) and an *outer tab* (B). When placing the table onto the *leveling bracket* (D, Fig. 8), the leveling bracket must be positioned *between* the inner and outer tabs and the *slots* in the tabs (C, Fig. 10) must straddle the screws (A, Fig. 8) that secure the leveling bracket (D, Fig. 8) to the rail (C, Fig. 8).

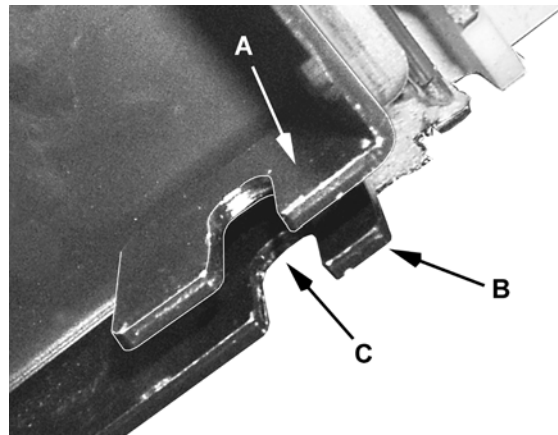


Figure 10

7. The sliding table should rest on the jacking screws (G, Fig. 8).
8. Place two 90° 0.02" shims between the sliding table and the table saw table near each end. This will help keep the sliding table parallel to the table saw table maintaining the proper clearance.
9. Lower, or raise *jacking screws* (G, Fig. 8) so that the sliding table surface is approximately flush, or slightly lower than table saw table surface.
10. Snug the four *hex cap screws* (A, Fig. 11) but do not tighten. This will allow you to fine tune the sliding table with the jacking screws.
11. Place a flat 0.02" *shim* (C, Fig. 11) on the table saw tabletop for the *straight edge* (B, Fig. 11) to rest on. This will help keep the sliding table the right height above the top of the table saw.
12. Use two jacking screws (G, Fig. 8) to raise the sliding table until it contacts the straight edge. The straight edge should rest flat on sliding table and shims.
13. Move straight edge to the other end of the table saw tabletop and repeat step 12.
14. Tighten *hex nuts* (F, Fig. 8) against the leveling bracket tabs while keeping *jacking screws* (G, Fig. 8) from turning.
15. Tighten the four *hex cap screws* (A, Fig. 11) that hold the leveling brackets in place.

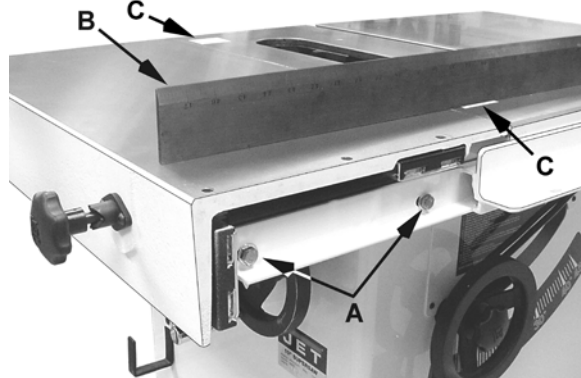


Figure 11

Note: When tightening the *screws* on the rear rail you may need to hold the sliding table against the shims because there is a tendency for the sliding table to move away from the shim (Figure 12).

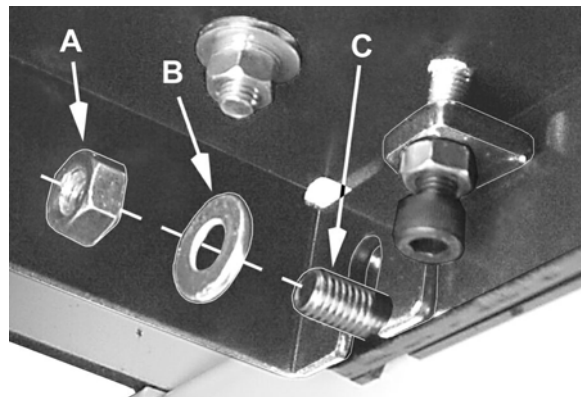


Figure 11A

16. Verify that the jack screws (G, Fig. 8) contact the sliding table support plate (Fig. 12).
17. Place M8 *flat washers* (A, Fig. 11A) and M8 *hex nuts* (B, Fig. 11A) on the *four screws* (C, Fig. 11A). Using two 13mm wrenches, tighten the hex nuts while holding the screw heads.
18. Remove the shims and make sure the sliding table is still approximately 0.02" higher than the table saw tabletop; it is still approximately 0.02" away from the table saw tabletop.



Figure 12

Sliding Table Miter Gauge

Hardware: Miter Gauge, Fence, (2) Handles, Stop, Fence Bar, Indicator Bar, Bushing, Bracket, Clamp Assembly & (2) Handles

Tools: 2.5mm Hex Wrench

1. Slide the miter gauge fence (B, Fig. 13) into the bar (A, Fig. 13) and attach to the miter gauge body (C, Fig. 13) with two handles (D, Fig. 13).

Note: the 45° mitered end of the miter gauge fence should be on the side of the blade.

2. Place miter gauge on the sliding table. There are three sets of threaded holes.
 - (1, Fig. 14) One set of threaded holes, up front to the far left, are for 90°-45° cutting.
 - (2, Fig. 14) The staggered set of threaded holes, up front to the right, are for 90°-135° cutting. **Note:** using this position with the blade tilted to 45° you need to remove the miter gauge handle found on the right side and replace with the supplied 90° handle.
 - (3, Fig. 14) The set of threaded holes, on the far side, are used for cutting at 90°.

Referring to Figure 13:

3. Place indicator bar (E) on top of the miter gauge body and secure in place with bushing (F), bracket (G) and handles (H).
4. Slide the square nut (I) into the slot on top of the fence. Secure the stop (J) in place with a handle (K).
5. Slide clamp bar (L) into the bracket, and miter gauge. Tighten set screw found in the bracket. Pull up on the quick release (M) and slide the clamp on to the bar. Position clamp disc against the workpiece and pull the clamp lever (N) towards you.
6. Use a square to make sure miter gauge is 90° to saw blade. If you need to make an adjustment. Loosen hex nut (O) found on indicator bar and turn bolt (P) until it rests against the miter gauge. Tighten the nut. Adjust cursor if necessary.
7. Use a combination square to make sure miter gauge is 45° to the saw blade. If you need to make an adjustment. Loosen hex nut (Q) found on the indicator bar and turn bolt (R) until it rests against the miter gauge. Tighten the nut. Adjust cursor if necessary.

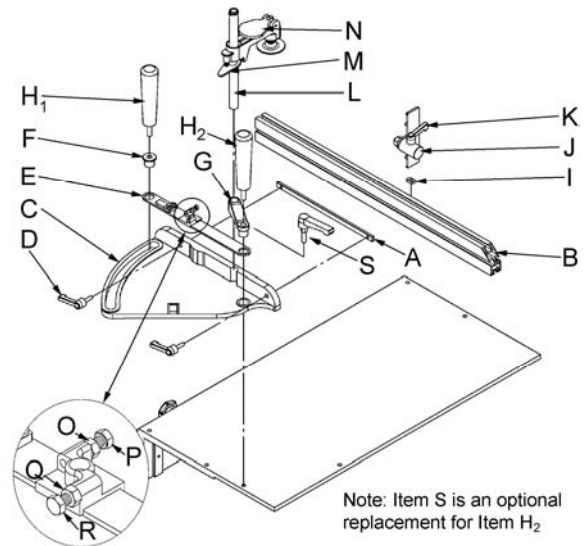


Figure 13

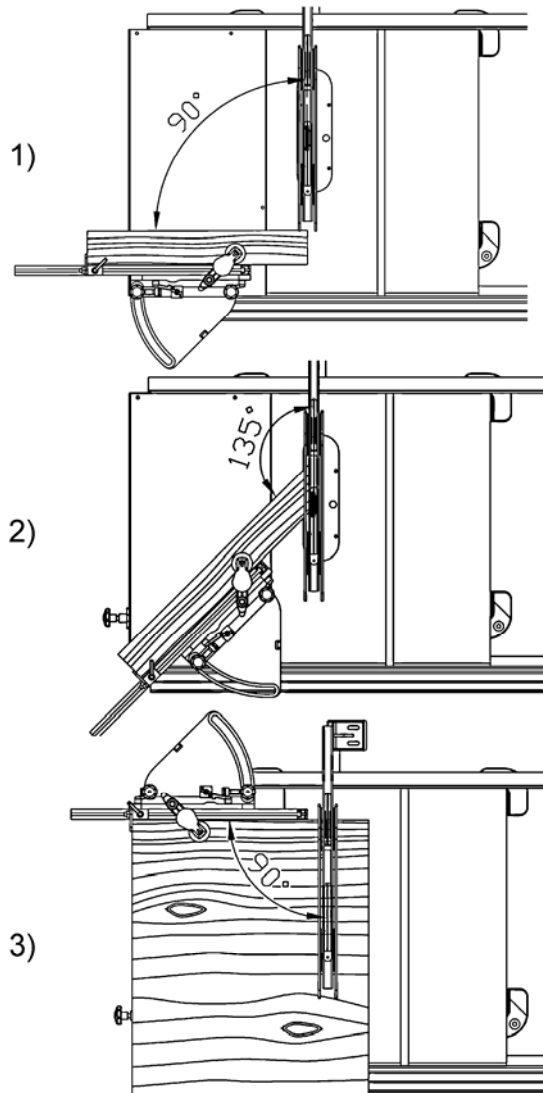


Figure 14

Mounting the Switch Assembly

Hardware: (2) 1/4x1/2 Hex Cap Screws,
(2) 1/4 Lock Washers, (2) 1/4 Flat Washers.

Tool: 4mm Hex Wrench

Referring to Figure 15:

Mount the *switch assembly* (A) to the bottom side of the *front rail* (B) with two button head cap screws (C) and two washers (D).

Note: The *switch assembly* can be installed in various locations along the front rail.

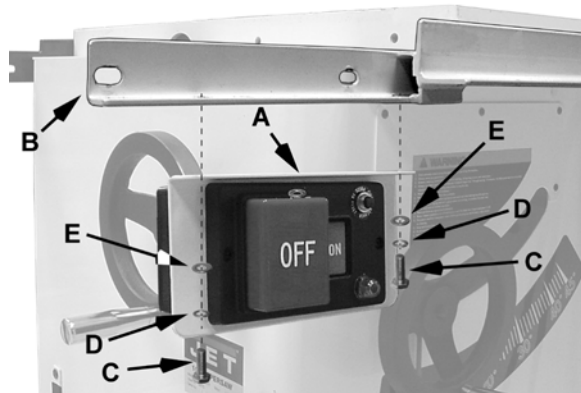


Figure 15

On-Off Switch Padlock

Model No. BP-1, Stock No. 709736

To safeguard your machine from unauthorized operation and to avoid accidental starting by young children, the use of a padlock is highly recommended. JET model BP-1 is available from your local authorized JET distributor or by calling JET Equipment & Tools at 800-274-6848.

Wooden Extension Table

The *wooden extension table* is an optional accessory.

Hardware: (4) C-clamps

Tools: Electric drill, Cross point screwdriver, two 10mm wrenches, Straight edge, Hammer (or rubber mallet)

Installation

The optional wood extension table (including the optional router table) sits flush against the saw table and along the inside of the rails. The JET logo (or warning label on the router table) should face outward. The extension table is not bolted to the saw table, it is bolted only to the rails.

The extension table and saw table must be aligned properly so the XACTA-FENCE II™ will slide smoothly from one to the other.

1. Place the extension table between the rails and up against the saw table, leaving the extension table raised just slightly above the saw table. Clamp the extension table to the front and back rails as shown in Figure 16. Clamping pressure should be enough to secure the table yet allow minor adjustments.
2. Use a hammer and block of wood (or a rubber mallet) to tap the extension table up flush against the cast iron saw table (Figure 16).

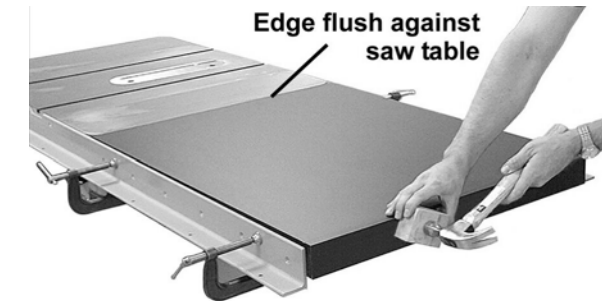


Figure 16

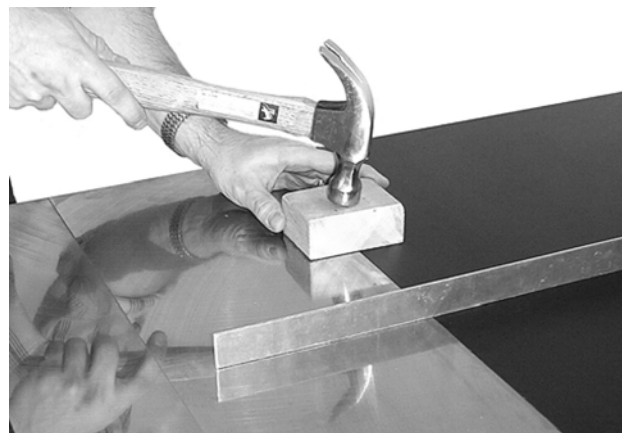


Figure 17

Then tap down the extension table at various points along its edge where it meets the saw

table, until it is level with the saw table (Figure 17). As one part of the edge becomes level with the table, tighten the clamp on that side. Then move to the other side and repeat, until the full length of the edge is level with the saw table. Lay a straight edge across both extension table and saw table to ensure proper leveling.

When the extension table is properly aligned, holes need to be drilled into the wood table using the holes in the rails as your guide (Figure 18). *You may wish to drill 3/32" pilot holes first.*



Figure 18

3. Drill 1/4" holes into the front edge of the table using the holes in the front rail as a guide. Drill 1/4" holes into the back edge of the table using the holes in the back rail as a guide.

If you have a 30" Rail System go to Step 4. For a 52" Rail System, go to Step 5.

4. Install two 1/4-20 x 1-1/2 hex cap screws, four 1/4 flat washers, two 1/4" lock washers and two 1/4 hex nuts into the holes in the front edge of extension table as shown in Figure 19. Finger-tighten only. Then go to Step 6.

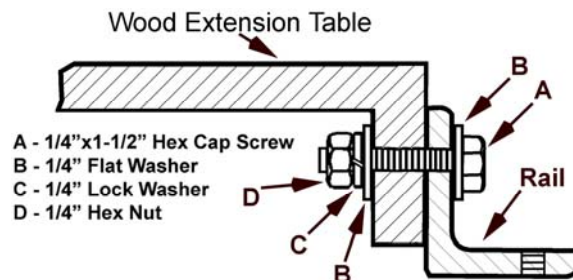


Figure 19

If you have a 52" Rail System:

5. Install three 1/4-20 x 1-1/2 hex cap screws, six 1/4 flat washers, three 1/4" lock washers and three 1/4 hex nuts into the holes in the front edge of extension table as shown in Figure 19. Finger-tighten only.

6. Repeat Step 4 (or 5) for the back rail.

Note: The back edge of the extension table requires *two* 1/4-20 x 1-1/2 hex cap screws, *four* 1/4 flat washers, and *two each* 1/4" lock washers and 1/4 hex nuts for 30" and 52" rails.

7. Re-check the table for alignment, make further adjustments if necessary, then tighten all screws and nuts.

8. Mount the two legs to the inside corners of the extension table as shown in Figure 20. Secure with the eight screws provided.



Figure 20

Note: If you are using a mobile base under your saw, you may need to shift the placement of the legs so they rest properly upon the shelves of the base.

9. Adjust the footpads on the legs counterclockwise until they reach the floor, then tighten the nut.

Guide Tube

The *guide tube* is placed on top of the *front rail* and is mounted with the black unpainted surface positioned toward the operator.

If your left table wing is the "fixed" type with miter

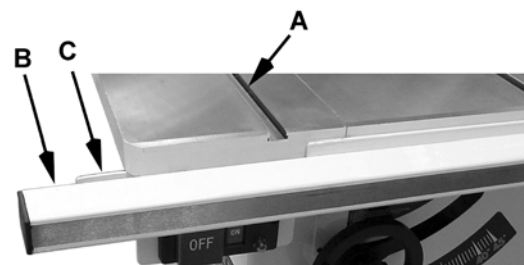


Figure 21

slot (A. Fig. 21), orient the *guide tube* (B) with respect to the *rail* (C) as shown in Figure 21.

If your left table wing is the *sliding table type* (D, Fig. 22), mount the *guide tube* (F) so it lines up with the left edge on the angle iron portion of the rail (E).

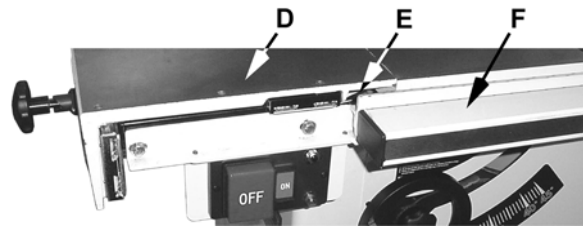


Figure 22

Referring to Figure 23:

1. Align the holes in the bottom of the *guide tube* (G) with the holes in the *front rail* (H).
2. Fasten the *guide tube* (G) to the *rail* (H) from beneath with 1/4-20 x 3/4 hex cap screws (J), 1/4 lock washers (K) and 1/4 flat washers (L). Finger-tighten only.
3. Instructions for the installation of the *scale* on the *guide tube* is given after the XACTA fence has been assembled and given a preliminary adjustment.

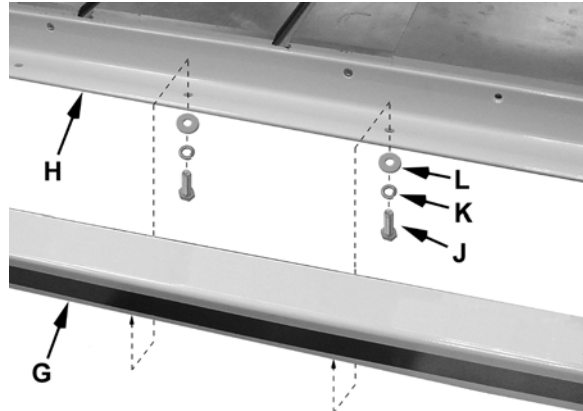


Figure 23

XACTA Fence

Screw the lock lever knob into the threaded handle on the XACTA Fence II as shown in Figure 24.

The lock lever has three functional positions as shown in Figure 25:

- The upright position permits mounting and removal of fence from the saw.
- The unlock position permits easy fence positioning.
- The lower position locks the fence to the front rail. The cam handle should be pushed down firmly against the pin.

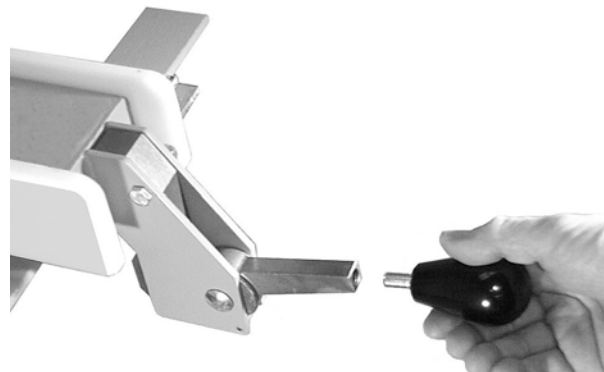


Figure 24

Removal

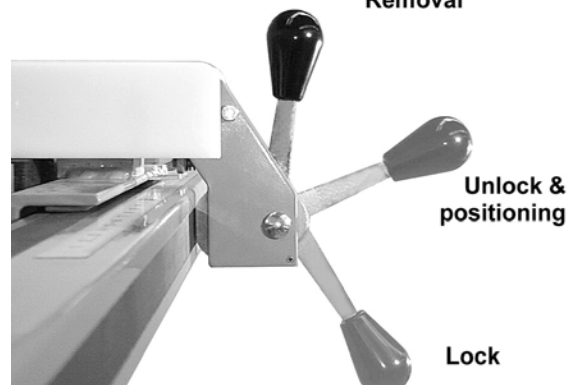


Figure 25

Fence Adjustments

Note: Fence adjustments should be performed in the order given.

Level with the Saw Table Adjustment

1. Place the fence on the table and lock it.
2. View the fence from the left side of the saw. Look for the space between the table and the fence bottom to be equal along the entire length of the fence (Figure 26).
3. If adjustment is necessary, unlock the fence.



Figure 26

4. Raise or lower two nylon adjustment screws (A, Fig. 27) *the same number of turns* until the space between the bottom of the fence and the table is the same. Care must be taken to raise or lower the fence on each side equally or the fence may not be 90° to the table after the height adjustment is performed.

Parallel to the Miter Slot Adjustment

1. Place the fence next to the outside edge of the right miter slot and lock it.
2. The fence should be even with the miter slot from front to back.
3. If the fence is not even along the length of the miter slot, unlock the fence, remove it and turn upside down (Figure 28).
4. Adjust one of the two set screws (A, Fig. 28) until the fence is even with the miter slot edge along its entire length when locked.

Note: You may need to re-adjust the clamping pressure after aligning the fence.

Clamping Pressure Adjustment

The XACTA Fence II has been adjusted at the factory to lock securely when the lock handle is pushed down. If adjustment is needed:

1. Unlock the fence.
2. Remove the fence from the guide rail.
3. Turn the fence over.
4. Adjust each of the two set screws (A, Fig. 28) exactly the same number of rotations until the fence is held securely when the lock handle is pushed down.

A clockwise rotation of the set screws will increase the cam pressure. Counterclockwise rotation will decrease cam pressure.

90° to the Table Adjustment

1. Place the fence on the saw table and lock it.
2. Place a square (A, Fig. 29) on the table next to the fence. The fence should be 90° to the table.
3. If adjustment is necessary, unlock the fence, and turn one of the two nylon adjustment screws (B, Fig. 29) until the fence is 90° to the table.
4. Lock the fence and check the adjustment again.

Initial Cursor Pre-adjustment

Loosen two screws securing the cursor to the fence and adjust the cursor to midrange. This will provide sufficient range for later adjustment if required.

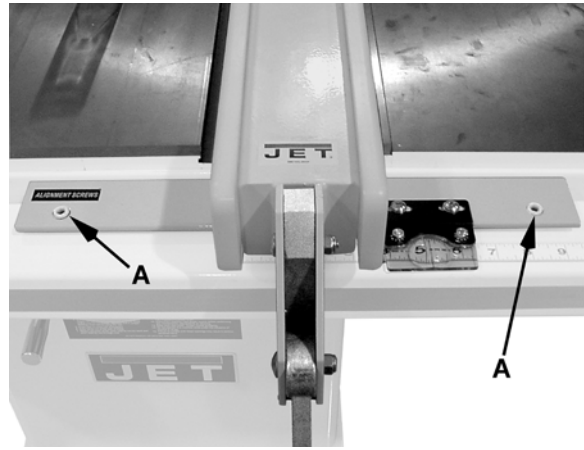


Figure 27



Figure 28

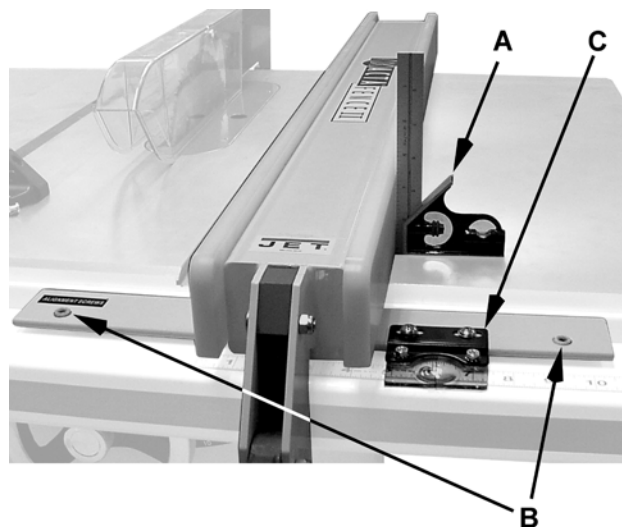


Figure 29

Installing the Blade

⚠WARNING When installing or changing saw blade, always disconnect saw from power source! Failure to comply may cause serious injury!

Hardware: Blade

Tools: Arbor Wrench, Scrap Piece of Wood

1. Raise the blade arbor and make sure the arbor is at the zero degree position.
2. Remove the arbor nut (A, Fig. 30) and flange (B, Fig. 30).
3. Place blade (C, Fig. 31) on arbor shaft making sure teeth point down at the front of the saw. Replace flange and arbor nut.
4. Place a wood scrap in the blade's teeth at the rear of the machine. Hold the block of wood in such a way that if it slips or the blade turns, your hand will not contact the blade, Figure 31.
5. Using the wrench provided, securely tighten the arbor nut. Remove the wrench.

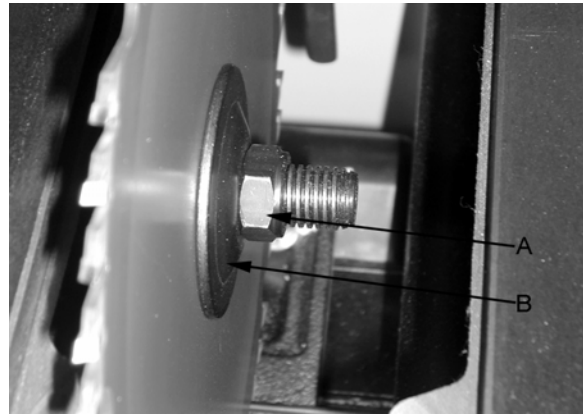


Figure 30



Figure 31

Guide Tube Scale Application

Refer to Figures 32 and 33.

The scale for the guide tube comes rolled, with an adhesive backing and must be applied to the guide tube as follows:

1. Place the fence (A) so it is flush against the right side of the saw blade (B) and lock it.
2. Using a fine marker, place a mark on the guide tube at the cursor hairline (C).
3. Remove the fence (A).
4. Remove the protective backing from the scale strip (D).
5. Apply the scale strip (D) onto the guide tube at the outlined location (E), making sure to line up the "zero" mark (F) on the scale with the mark on the guide tube (G) previously determined in Step 2.

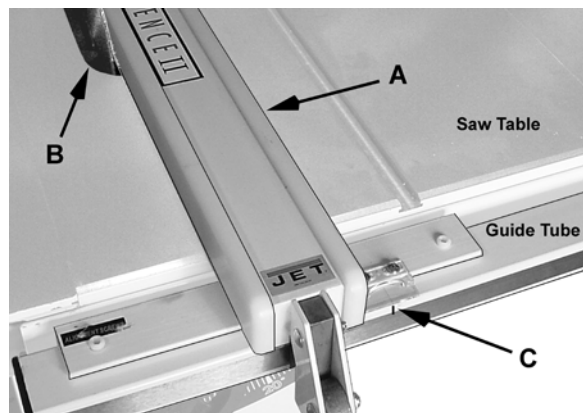


Figure 32

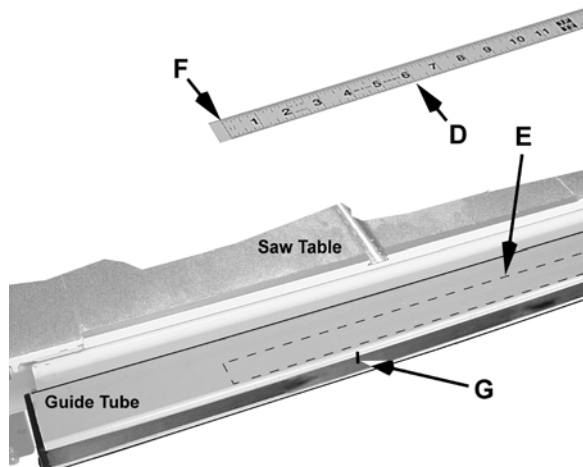


Figure 33

If further adjustment is required, see the Cursor Adjustment instructions in the *Adjustments* section.

Blade Guard Assembly

Hardware: Blade Guard Assembly, Splitter Guard Assembly

Tools: 12mm Wrench, 17mm Wrench or Adjustable Wrench, 3mm Hex Wrench

1. With a 3mm hex wrench, loosen two set screws (G, Fig. 34) on the splitter guard assembly and remove the bracket.
2. Remove the hex nut and lock washer from the threaded end of blade guard shaft and reverse, threading the hex nut first, then placing the lock washer on the shaft.
3. Thread the blade guard shaft (E, Fig. 34) into rear trunnion through opening at rear of saw.
4. Tighten blade guard shaft. The shaft has a hole to accommodate a screwdriver.
5. Place upper and lower bracket assembly (F, Fig. 34) in the upright position and snug two set screws (G, Fig. 34) just enough to hold in place.
6. Insert front tab (A, Fig. 35) of blade guard assembly through insert opening in the table. Loosen the hex cap screw already installed at the factory and insert the front tab of the blade guard. The tab is held in place between the flat washer and bracket. Leave a 1/8" gap between the splitter and table. Tighten hex cap screw

Note: make sure the anti-kickback pawls (B, Fig. 35) are pointing towards the back of the saw.

7. Secure rear tab of blade guard assembly to the upper blade guard bracket with two hex cap screws (C, Fig. 35). Leave a 1/8" gap between the splitter and table. Tighten hex cap screws.

Table Insert Adjustment

Hardware: Table Insert

Tools: Straight Edge, 3mm Hex Wrench

1. Adjust table insert (A, Fig. 36) flush with table by turning four leveling screws (B, Fig. 36).
2. Use a straight edge (C, Fig. 36) to make sure the insert is flush with the table.

Aligning Blade Guard and Splitter

Tools: 12mm Wrench, 3mm Hex Wrench, Straight Edge

1. Use a straight edge (E, Fig. 37) to align the splitter with the saw blade. Be sure the straight edge rests against the body of the saw blade and not the saw teeth.

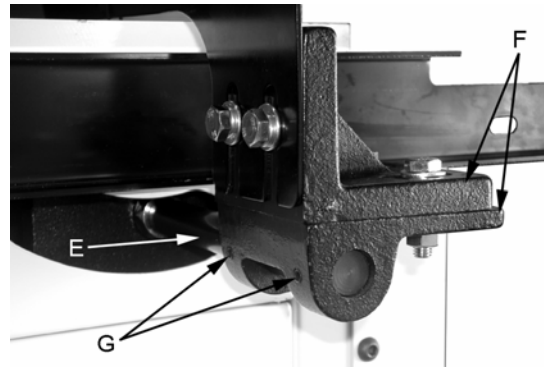


Figure 34

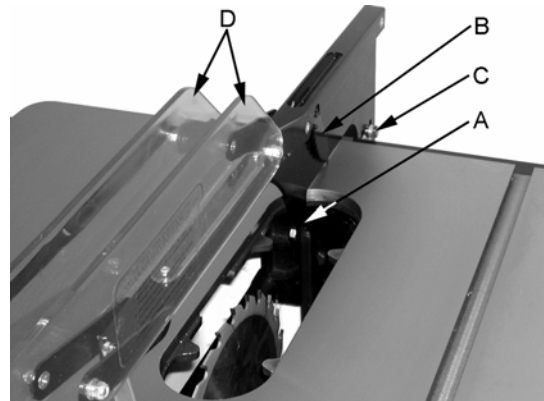


Figure 35

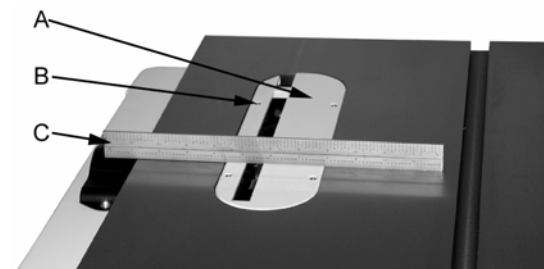


Figure 36

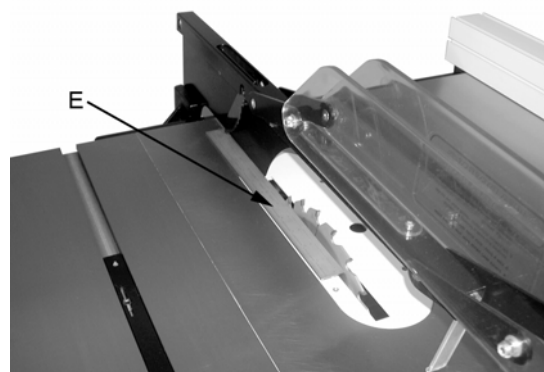


Figure 37

2. Tighten two set screws (G, Fig. 34) on the bracket assembly.
3. Make sure the splitter is level with the table and approximately 1/8" above the table. The space between the splitter and the table keeps the splitter from binding on the table when the blade is tilted to 45°.

Hooks for Miter Gauge and Fence

Hardware: (2) Miter Gauge Hooks, (2) Fence Hooks, (4) M8x16 Carriage Bolts, (4) M8 Flat Washers, (4) M8 Lock Washers & (4) Hex Nuts

Tool: 13mm Wrench

1. Mount the two fence hooks (A, Fig. 38) with two M8x16 carriage bolts, two M8 flat washers, two M8 lock washers and two M8 hex nuts.

Helpful Hint: Removing the rear access door by pulling the release lever (E, Fig. 40) will facilitate reaching the front hook mounting hole.

2. On the opposite side of the cabinet mount two miter gauge hooks with two M8x16 carriage bolts, two M8 flat washers, two M8 lock washers and two M8 hex nuts.

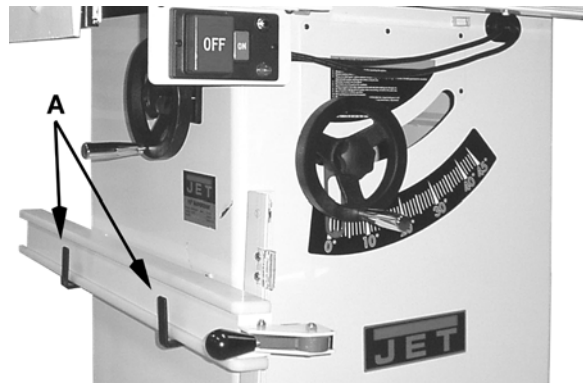


Figure 38

Blade Raising and Tilting Mechanism

1. To raise or lower saw blade, loosen the lock knob (A, Fig. 39) and turn the handwheel (B, Fig. 39) on the saw front until desired height is reached. Tighten lock knob. The blade should be adjusted 1/8" to 1/4" above the top surface of the material being cut, about 3-5 blade tips.
2. To tilt the saw blade, loosen lock knob found on the left side of the table saw and turn handwheel until desired angle is obtained, then tighten lock knob.

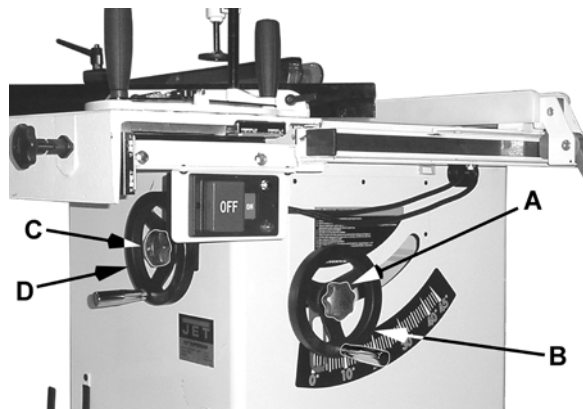


Figure 39

Electrical Connections

⚠WARNING

A qualified electrician must complete all electrical connections! Failure to comply may result in serious injury!

The JWSS-10CS table saw is rated at 1-3/4 HP, 1Ph, 115V/230V **prewired 115V.**

To switch the JWSS-10CS from 115V to 230V:

1. Disconnect the machine from the power source, (unplug).
2. Open the cabinet door found on the rear of the saw, by pressing the red release button on the latch assembly. Lift the lever up and pull the door open.
3. You can remove the door by pulling the door release lever down (E, Fig. 40).
4. Remove the cover from the motor junction box (F, Fig. 40).

5. Change wires following the diagram on the inside of the cover.
6. Replace the cover and close the cabinet door.

Confirm power at the site is the same as the saw before making any electrical connections. Review the Wiring Diagrams on pages 43-44.

Using extension cords can cause a loss in power to your machine. It is best if the saw is plugged directly into an outlet on a dedicated circuit.

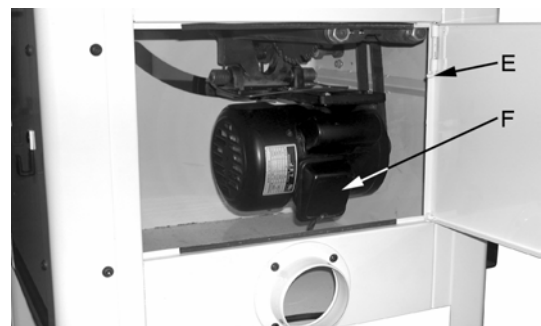


Figure 40

Grounding Instructions

CAUTION This tool must be grounded while in use to protect the operator from electric shock.

In the event of a malfunction or breakdown, grounding provides a path of least resistance for electric current to reduce the risk of electric shock. This tool is equipped with an electric cord having an equipment-grounding conductor and a grounding plug. The plug must be plugged into a matching outlet that is properly installed and grounded in accordance with all local codes and ordinances.

Do not modify the plug provided. If it will not fit the outlet, have the proper outlet installed by a qualified electrician.

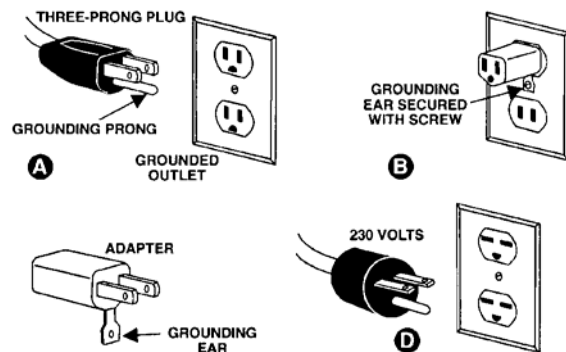
Improper connection of the equipment-grounding conductor can result in a risk of electric shock. The conductor, with insulation having an outer surface that is green with or without yellow stripes, is the equipment-grounding conductor. If repair or replacement of the electric cord or plug is necessary, do not connect the equipment-grounding conductor to a live terminal.

Check with a qualified electrician or service personnel if the grounding instructions are not completely understood, or if in doubt as to whether the tool is properly grounded. Use only three wire extension cords that have three-prong grounding plugs and three-pole receptacles that accept the tool's plug.

Repair or replace a damaged or worn cord immediately.

115 Volt Operation

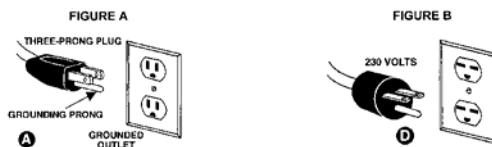
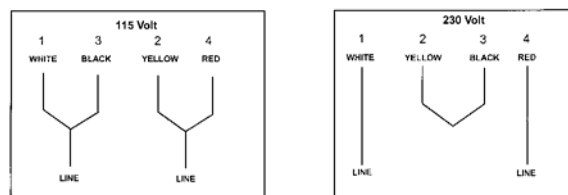
Your table saw is set at the factory to run at 115-volt operation. When wired for 115 volt, this table saw is intended for use on a circuit that has an outlet and a plug that looks like the one illustrated in (A). A temporary adapter, which looks like the adapter as illustrated in (B), may be used to connect this plug to a two-pole receptacle, as shown in (B) if a properly grounded outlet is not available. The temporary adapter should only be used until a properly grounded outlet can be installed by a qualified electrician. **This adapter is not applicable in Canada.** The green colored rigid ear, lug, or tab, extending from the adapter, must be connected to a permanent ground such as a properly grounded outlet box, as shown in (B).



230 Volt Operation

If 230V, single-phase operation is desired, the following instructions must be followed:

1. Disconnect the machine from the power source.
2. Turn the handwheel until the saw blade is in the 45° position. This will allow easy access to the motor junction box.
3. This table saw is supplied with four motor leads that are connected for 115V operation, as shown in Figure A. Reconnect these four motor leads for 230V operation, as shown in Figure B.
4. The 115V attachment plug (A), supplied with the table saw, must be replaced with a UL/CSA listed plug suitable for 230V operation (D). Contact your local Authorized JET Service Center or qualified electrician for proper procedures to install the plug. The table saw must comply with all local and national codes after the 230-volt plug is installed.



5. The table saw with a 230-volt plug should only be connected to an outlet having the same configuration (D). No adapter is available or should be used with the 230-volt plug.

Important: In all cases (115 or 230 volts), make certain the receptacle in question is properly grounded. If you are not sure, have a registered electrician check the receptacle.

Adjustments

Blade Alignment

Tools: 8mm Hex Wrench, Combination Square & Marker

Blade alignment with the miter slot is adjusted at the factory. After a period of use, or after moving the saw to another location, the blade may no longer be aligned properly. To check and align the blade, see Figure 41.

1. Disconnect saw from the power source, unplug.
2. Raise the blade guard up and out of the way of the blade.
3. Unlock fence and move away from the blade so as to expose the right T-slot.
4. Choose a tooth on the far side of the blade and directly over the insert. Mark the tooth with a marker. Measure the distance from the side of the blade to the right T-slot edge using a combination square. Make sure to measure between the teeth not on the tooth, see Figure 41.
5. Rotate the blade toward the front so that the marked tooth is just above the insert. Measure the distance from the side of the blade to the right T-slot edge. The two measurements should be the same.
6. If they are not the same, loosen four hex head screws (A, Fig. 42) that hold the trunnions to the table. Two are shown in Figure 42.
7. Make the needed adjustments to the trunnion assembly and tighten the four hex head screws.
8. Check the alignment once again after tightening hardware.

XACTA Fence Cursor Adjustment

This adjustment must be checked whenever a different blade is installed.

1. Disconnect the table saw from the power source.
2. Raise the saw blade above the tabletop.
3. Unlock the fence and slide it to approximately four inches from the saw blade.
4. Lock the fence.
5. Measure the distance between the saw blade and the inside of the fence.

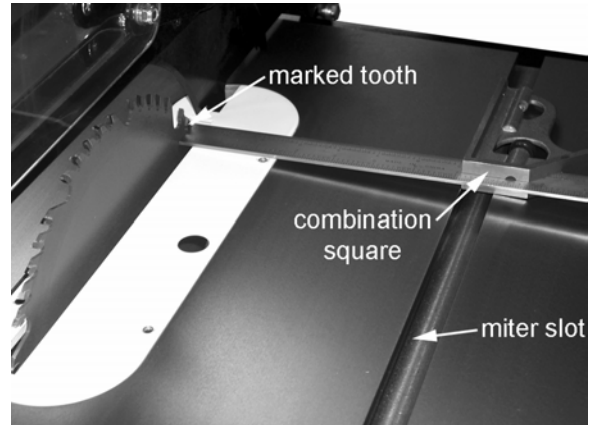


Figure 41

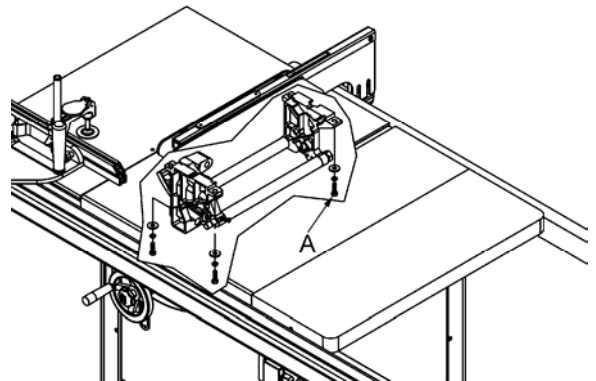


Figure 42

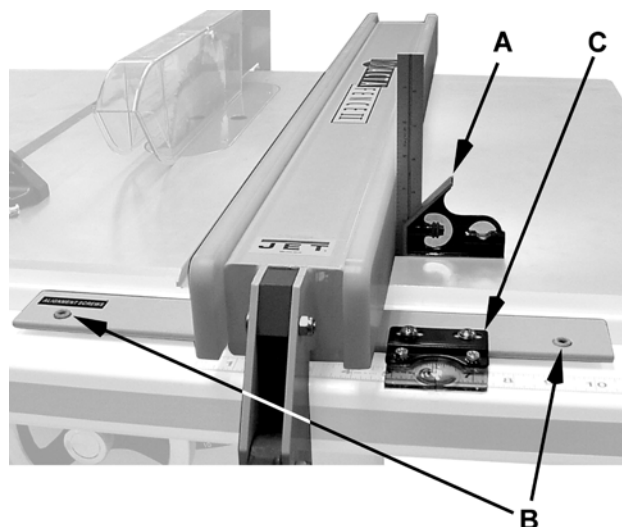


Figure 43

6. Adjust the cursor (C, Fig. 43) to read the distance just measured and tighten the cursor assembly to the fence.
7. Take a test cut and confirm that the adjustment is correct.

Adjusting 45° and 90° Positive Stops

The stops have been adjusted at the factory. After a period of use, or, after moving the saw to another location, the stops may no longer be set properly. To check and adjust the stops:

Tool: 12mm Wrench, Combination Square

1. Disconnect saw from power source, unplug.
2. Raise the saw blade to its maximum height using the handwheel.
3. Set the blade at 45° or 90° to the table by turning the blade tilting handwheel clockwise as far as it will go.
4. Place a square on the table and check to see that the blade is at a 45° or 90° angle to the table, see Figure 44. Make sure square is not touching a blade tooth.

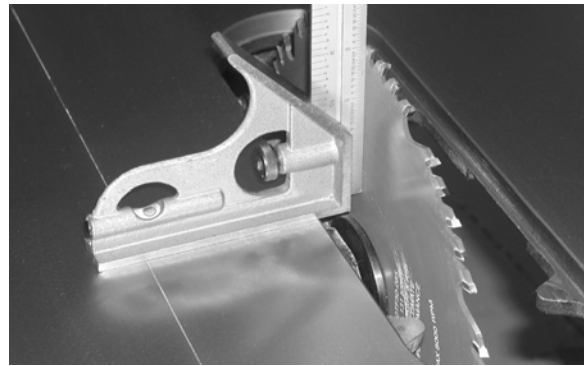


Figure 44

If blade is not at 90°

5. Referring to Figure 45, remove the front panel (D) by unscrewing the lock knob (A), pulling off the handwheel (B) and removing five pan head screws (C) that hold the front panel.
6. Referring to Figure 46, loosen the *lock nut* (A) and turn *set screw* (B) on the front trunnion *in* or *out*. The *set screw* should stop against the front trunnion bracket when the blade is 90° to the table.
7. Tighten the *lock nut* (A) and recheck the blade with a square (Figure 44).
8. Check the accuracy of the *pointer* (E) on the angle scale and adjust, if necessary. Loosen *set screw* (F) to change the pointer position.

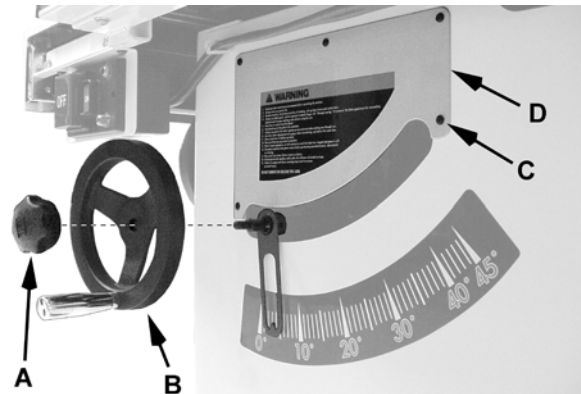


Figure 45

If the blade is not 45°

9. Remove the front panel per Step 5. Loosen *lock nut* (C, Fig. 46) and turn *set screw* (D, Fig. 46) on the front trunnion *in* or *out*. The hex cap screw should stop against the table when the blade is 45° to the table.
10. Check the accuracy of the *pointer* (E, Fig. 46) on the angle scale and adjust, if necessary. Loosen set screw (F, Fig. 46) to change the pointer position.

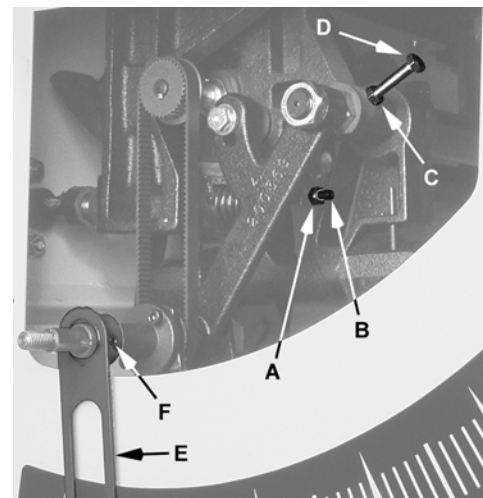


Figure 46

Assembly and adjustment of the saw are now complete. Make sure all fasteners are tight. The saw may now be placed into operation.

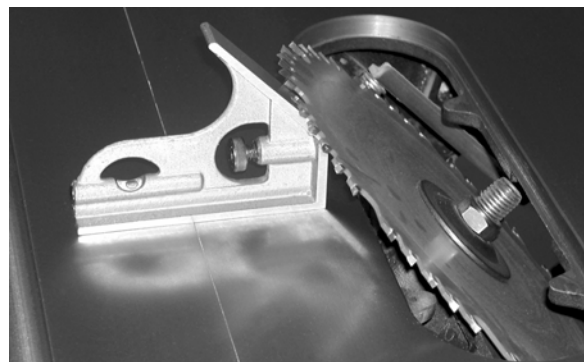


Figure 47

Wear Adjustment in Raising Mechanism

As the worm gear wears with time you may notice a little play in the handwheel. To adjust for wear in the raising mechanism:

1. Disconnect the machine from the power source, unplug.
2. Referring to Figure 48, remove the front panel (D) by unscrewing the lock knob (A), pulling off the handwheel (B) and removing five pan head screws (C) that hold the front panel.
3. Use a wire brush and a cleaner/degreaser to clean worm shaft, and trunnions. Apply white lithium grease or powdered graphite to lubricate worm shaft, and trunnions.

Referring to Figure 49:

4. Loosen lock nut (A).
5. Turn eccentric sleeve slightly (B) by placing the wrench on the flat surface of the eccentric sleeve located just behind the gear (C). Adjust so that the worm raises into the worm gear removing play in the teeth (H). After the worm and worm gear touch back off slightly to leave a little backlash between teeth. Tighten the nut and try the handwheel. Make any necessary adjustments.
6. Tighten lock nut (A).

Wear Adjustment in Tilting Mechanism

As the worm gear wears with time you may notice a little play in the handwheel. To adjust for wear in the tilting mechanism (while referring to Figure 50):

1. Disconnect the machine from the power source, unplug.
2. Open the rear cabinet door and remove the poly v-belt by lifting up on the motor.
3. Use a wire brush and a cleaner/degreaser to clean worm shaft, and trunnions. Apply white lithium grease or powdered graphite to lubricate worm shaft, and trunnions.
4. Loosen lock nut (I).

There is a flat area on the eccentric sleeve that accommodates a wrench for adjustments.

5. Turn eccentric sleeve slightly (J) so that the worm raises into the worm gear removing play in the teeth (K). After the worm and worm gear touch back off slightly to leave a little backlash between teeth. Tighten the nut and try the handwheel. Make any necessary adjustments.
6. Tighten lock nut (I).

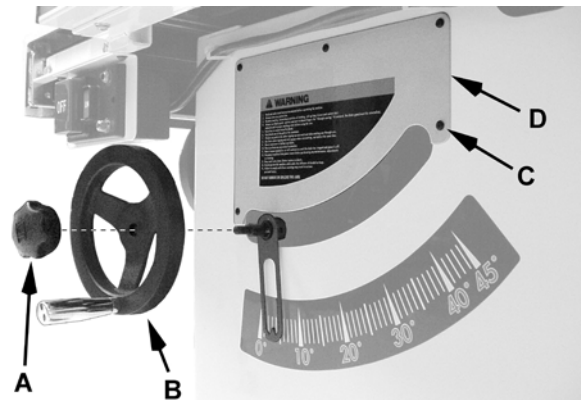


Figure 48

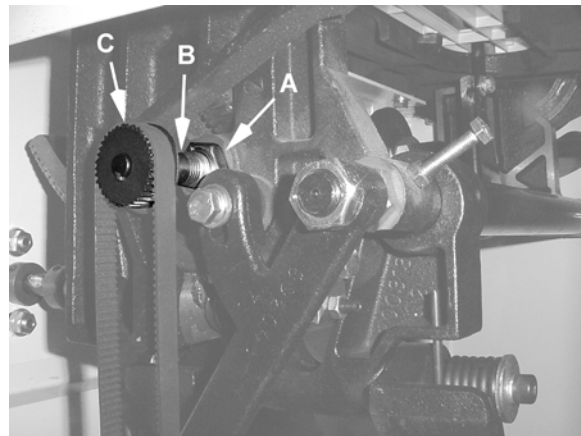


Figure 49

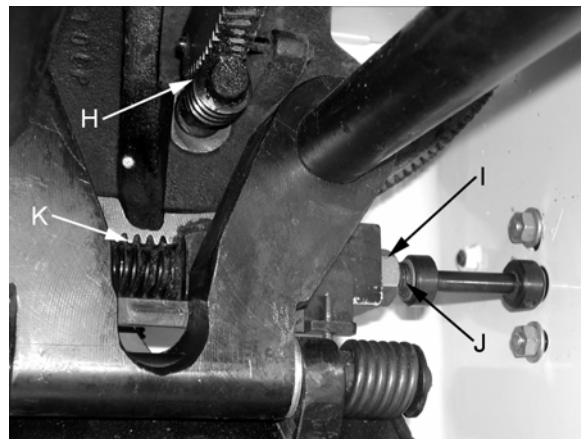


Figure 50

Changing Poly V-Belt

⚠WARNING

Make all machine adjustments or maintenance with the machine unplugged from the power source. Failure to comply may cause serious injury!

1. Disconnect the machine from the power source, unplug.
2. Lower the blade to its lowest point and tilt to 45°. This will allow easy access to the poly v-belt.
3. Take the tension off of the belt (A, Fig. 51) by lifting up on the motor.
4. Remove the belt from the arbor and motor pulleys.
5. Replace the belt. The weight of the motor and the torsion spring should apply enough tension to the belt.

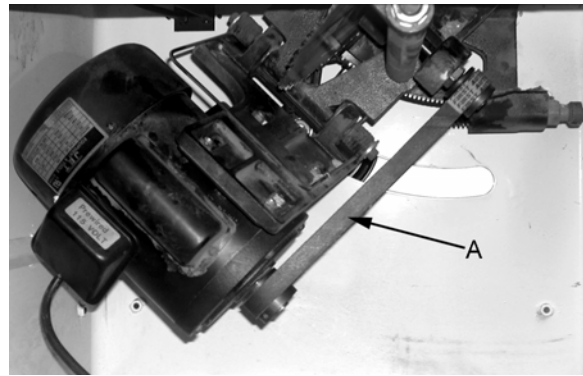


Figure 51

Changing the Transfer Belt

Referring to Figures 52 and 53:

1. Disconnect the machine from the power source, unplug.
2. Remove the front panel (D) by unscrewing the lock knob (A), pulling off the handwheel (B), and removing five pan head screws (C) that hold the front panel.
3. Remove bolt (F) and pivot assembly up to take the tension off of the belt. Take belt off the upper pulley. Remove nut (G) and pull off the assembly.
4. Remove the screw and washer (H) that holds the shaft (I) in place.
5. Loosen the two set screws (J) that hold the timing pulley in place.
6. Pull out the shaft far enough so that you can remove the timing belt (K).
7. Replace with a new belt and reassemble.
8. Make sure timing pulleys are aligned and tighten set screws (J).
9. Make sure tension on the timing belt is enough so that the belt does not slip. Tighten bolt (F).

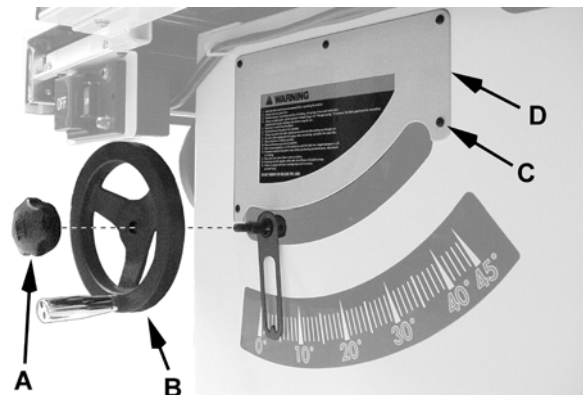


Figure 52

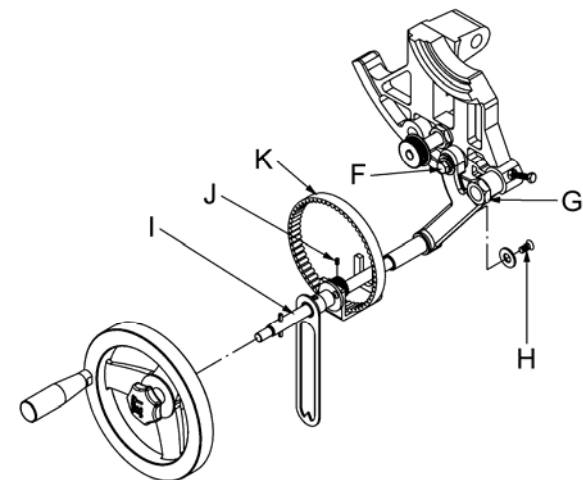


Figure 53

Maintenance

General Maintenance

Cabinet and Motor: Keep the inside of the cabinet clear of sawdust and wood chips. Vacuum out the inside of the cabinet and blow out the inside with an air hose. Make sure the motor fan and fan cover are also kept clear of sawdust.

Worm Shafts and Trunnions: Use a wire brush and a cleaner/degreaser to clean worm shaft, and trunnions. Apply white lithium grease or powdered graphite to lubricate worm shaft, and trunnions.

Sliding Table: After a days use push the sliding table all of the way forward and wipe out any sawdust that may have made it past the wipers. The important part of the bearing sliders is the mating grooves (A, Fig. 54) that the bearings ride along.

Pull the sliding table all of the way forward and wipe out any sawdust that may have made it past the wipers. The important part of the bearing sliders is the mating grooves (A, Fig. 55) that the bearings ride along.

Add a small amount or lightweight oil to the bearing grooves, if necessary and run the sliding table back and forth to work the oil into the bearings. Wipe off any excess oil.

Table Top: Remove rust from the tabletop with WD-40® and a Scotch-Brite™ Hand Pad. Keep a light coat of WD-40® on the tabletop when not in use.

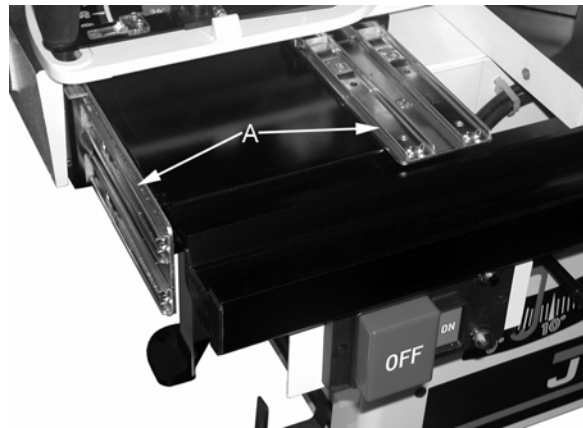


Figure 54



Figure 55

Blades and Accessories

10" x 40T carbide	709733
10" x 60T carbide	709734
Feather board.....	709721
JTG-10Q Tenoning Jig.....	708295
Tenoning Jig Adaptor Plate.....	708295SS
Tenoning Jig Kit*	708295SSK
XACTA Lift.....	708124
Outfeed Rollers	708150PK
Universal Mobile Base	708119

*Consists of JTG-10Q Tenoning Jig and Adaptor Plate

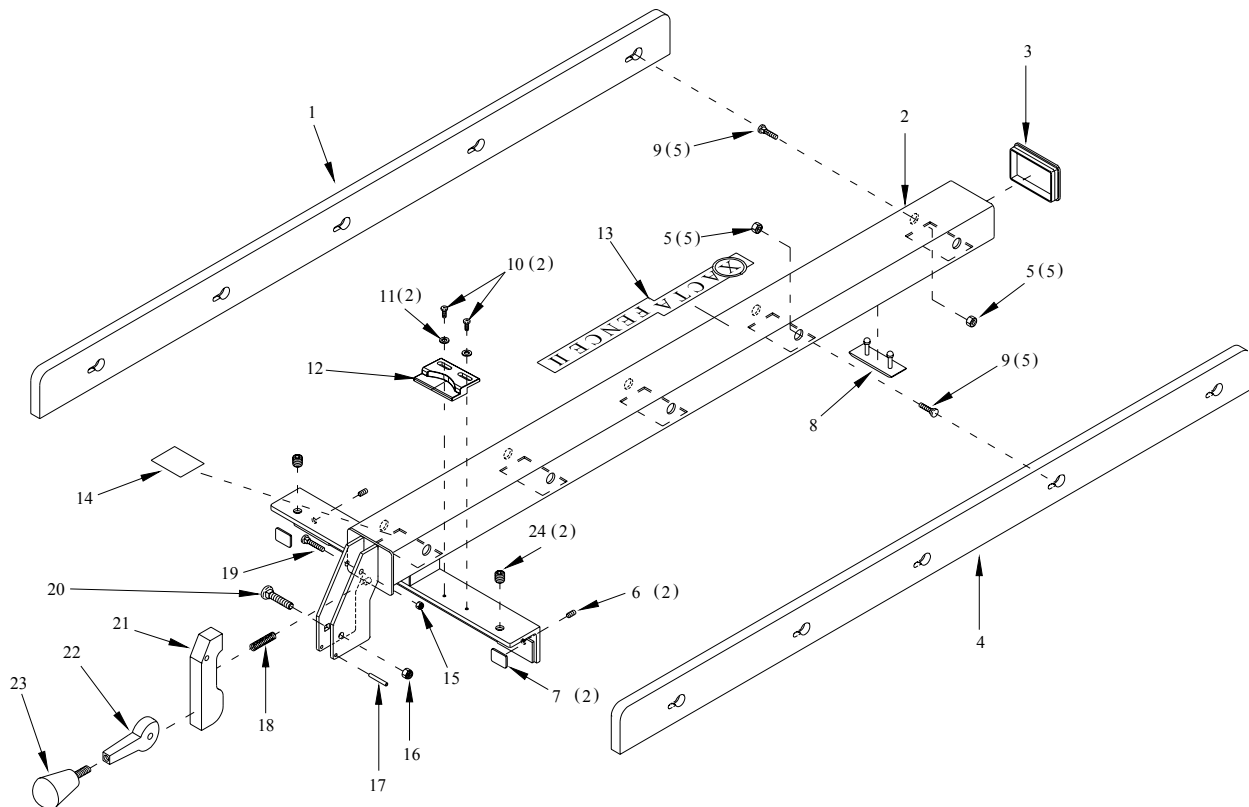
Troubleshooting

Trouble	Possible Cause	Solution
Saw stops or will not start	<ol style="list-style-type: none"> 1. Overload tripped 2. Saw unplugged from wall or motor 3. Fuse blown or circuit breaker tripped 4. Cord damaged 5. Starting Capacitor is bad 6. Centrifugal Switch bad or out of adjustment 	<ol style="list-style-type: none"> 1. Allow motor to cool and push reset button found on "On/Off" Assembly 2. Check all plug connections 3. Replace fuse or reset circuit breaker 4. Replace cord 5. Replace Starting Capacitor 6. Replace or adjust Centrifugal Switch
Does not make accurate 45° or 90° cuts	<ol style="list-style-type: none"> 1. Stops not adjusted correctly 2. Angle pointer not set accurately 3. Miter gauge stops out of adjustment 	<ol style="list-style-type: none"> 1. Check blade with square; adjust stops 2. Check blade with square adjust pointer 3. Adjust miter gauge stops
Material binds blade when ripping	<ol style="list-style-type: none"> 1. Fence not aligned with miter slot 2. Warped wood 3. Excessive feed rate 4. Splitter not aligned with blade 	<ol style="list-style-type: none"> 1. Check and adjust fence parallel to miter slot 2. Select another piece of wood 3. Reduce feed rate 4. Align splitter with blade
Saw makes unsatisfactory cuts	<ol style="list-style-type: none"> 1. Dull blade 2. Blade mounted backwards 3. Gum or pitch on blade 4. Incorrect blade for cut 5. Gum or pitch on table 	<ol style="list-style-type: none"> 1. Sharpen or replace blade 2. Turn blade around 3. Remove blade and clean 4. Change blade to correct type 5. Clean table
Blade does not come up to speed	<ol style="list-style-type: none"> 1. Extension cord too light or too long 2. Low shop voltage 3. Motor not wired for correct voltage 	<ol style="list-style-type: none"> 1. Replace with adequate size cord 2. Contact your local electric company 3. Refer to motor junction box
Saw vibrates excessively	<ol style="list-style-type: none"> 1. Stand on uneven floor 2. Damaged saw blade 3. Bad Poly V-belt 4. Loose hardware 	<ol style="list-style-type: none"> 1. Move to an even level floor 2. Replace saw blade 3. Replace Poly V-belt 4. Tighten hardware
Material kicked back from blade	<ol style="list-style-type: none"> 1. Rip fence out of alignment 2. Splitter not aligned with blade 3. Feeding stock without rip fence 4. Splitter not in place 5. Dull blade 6. Letting go of material before it is past blade 7. Anti-kickback plates dull 	<ol style="list-style-type: none"> 1. Align rip fence with miter slot 2. Align splitter with blade 3. Install and use rip fence 4. Install and use splitter (with guard) 5. Replace blade 6. Push material all the way past blade before releasing work 7. Replace or sharpen anti-kickback plates
Blade does not raise or tilt freely	<ol style="list-style-type: none"> 1. Sawdust in raising and tilting mechanisms 	<ol style="list-style-type: none"> 1. Clean and regrease
Sliding Table does not move smoothly	<ol style="list-style-type: none"> 1. Saw dust in the bearing sliders. 	<ol style="list-style-type: none"> 1. Wipe out any sawdust that may have made it past the wipers. The important part of the bearing sliders is the mating grooves that the bearings ride along

Parts

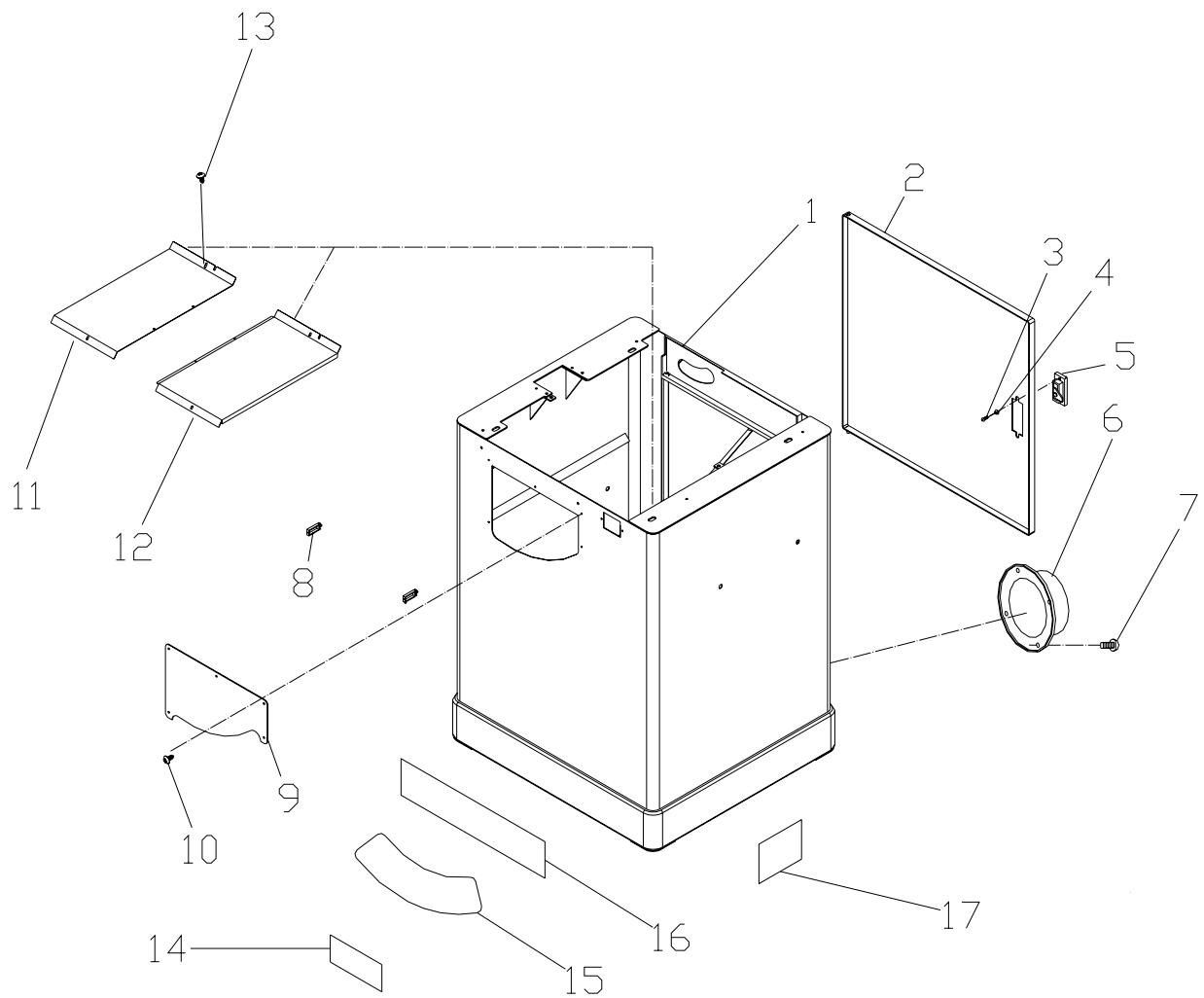
XACTA Fence II Homeshop 30/52 Fence Assembly

Index No.	Part No.	Description	Size	Qty
1	HF2-101	Left Side Plate		1
2	HF2-102	Fence Body Assembly		1
3	HF2-103	Tube Plug		1
4	HF2-104	Right Side Plate		1
5	TS-0640071	Lock Nut	1/4" -20	10
6	TS-0271031	Socket Set screw	3/8" -16 x 3/8"	2
7	3575081	Fluoroway Pad		2
8	XF2-108	Pad Set		1
9	TS-0151011	Carriage Bolt	1/4" -20 x 3/4"	10
10	TS-081D022	Pan Head Machine Screw	10-32 x 3/8"	2
11	TS-0680021	Flat Washer	1/4"	2
12	HF2-112	Cursor		1
13	HF2-113	XACTA Fence Label		1
14	XF2-129	JET Label		1
15	TS-0640071	Lock Nut	1/4" -20	1
16	TS-0640081	Lock Nut	5/16" -18	1
17	XF2-117	Spring Pin	4mm x 28	1
18	6813042	Compression Spring		1
19	TS-0151041	Carriage Bolt	1/4" -20 x 1-1/2"	1
20	TS-0152031	Carriage Bolt	5/16" -18 x 1-1/2"	1
21	3215302	Foot Cam		1
22	3076232	Lock Cam		1
23	6430055	Knob w/stud	3/8" -16 x 5/8"	1
24	XF-5	Nylon Adjustment Screw		2



Cabinet Assembly

Index No.	Part No.	Description	Size	Qty
1	JWSS10CS-01	Cabinet		1
2	JWSS10CS-02	Door		1
3	SP040100	Pan Head Screw	M4 x 5	2
4	150503-1	Spacer		2
5	150503	Door Latch Assembly		1
6	412007W	Dust chute		1
7	TS-1534032	Pan Head Screw	M6X10	4
8	998660	Wire Clips	WS-3	2
9	200432	Front Cover		1
10	ST049200	Tapping Screw	M4x 8	5
11	JWSS10CS-11	Dust Baffle (left)		1
12	JWSS10CS-12	Dust Baffle (right)		1
13	TS-2284082	Pan Head Screw	M4 x 8	6
14	LM000636	Warning Label		1
15	LM000634	Angle Scale		1
16	LM000629	JET Label		1



Guard Assembly

Index No.	Part No.	Description	Size	Qty
1	200321	Support Arm		1
2	TS-2342061	Nylon Lock Nut	M6	9
3	200322	Splitter		1
4	200317	Spacer		2
5	TS-1482071	Hex Head Screw	M6 x 35	1
6	992501	Spring Nut	M6	2
7	PP062500	Pin	6 x 25	1
8	200032	Anti-Kickback Plate		2
9	200034	Spacer		2
10	200033	Spring		1
11	PS042400	Spring Pin	4 x 24	1
12	200320	Guard		2
13	TS-1550041	Flat Washer	M6	8
14	SN060300	Countersunk Head Bolt	M6 x 15	4
15	PS053200	Spring Pin	5 x 32	1
16	200319	Arm		4
17	200325	Guard		1
18	PS052500	Spring Pin	5 x 25	1
19	SP049200	Pan Head Screw	M4 x 8	2
20	200318	Window		1
21	SN069300	Countersunk Head Screw	M6 x 12	4
22	200431	Spacer		2
	JWSS10-GAC	Guard Assembly Complete		1

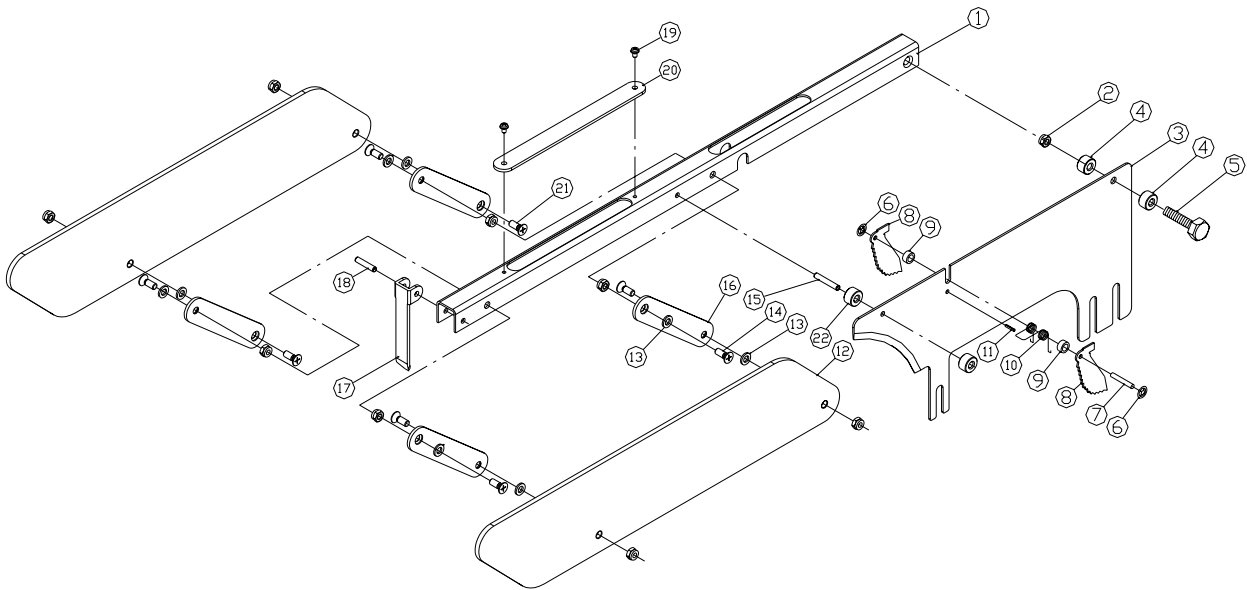


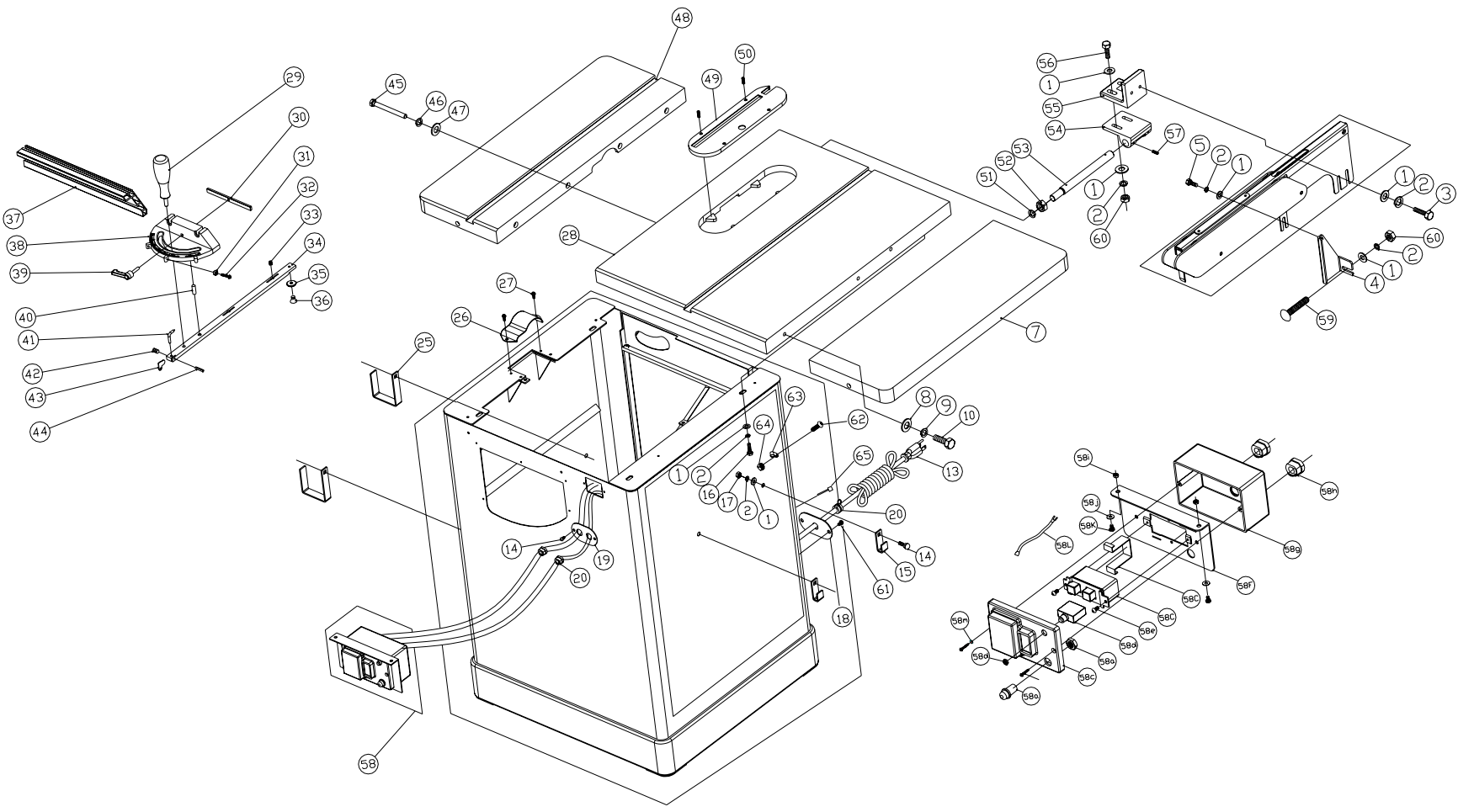
Table Assembly

Index No.	Part No.	Description	Size	Qty
1	TS-1550061	Flat Washer	M8	13
2	TS-1551061	Lock Washer	M8	7
3	TS-1490021	Hex Head Screw	M8 x 16	2
4	200324	Mounting Bracket		1
5	TS-1490011	Hex Head Screw	M8 x 12	1
7	290004	Extension Wing (R)		1
8	TS-1550071	Flat Washer	M10	3
9	TS-1551071	Lock Washer	M10	3
10	TS-1491041	Hex Cap Screw	M10 x 30	3
13	IC290007	Power Cord		1
14	SC089400	Carriage Screw	M8 x 16	4
15	200406	Miter Gauge Hook		2
16	TS-1490031	Hex Head Screw	M8 x 20	4
17	TS-1540061	Hex Nut	M8	6
18	150508	Strain Relief Plate		1
19	200018	Strain Relief Plate		1
20	998623	Strain Relief		3
25	200407	Fence Hook		2
26	200352	Guard		1
27	SF059200	Pan Head Screw (Flange)	M5 x 8	2
28	JWSS10-28	Table		1
29	612150	Handle		1
30	200405	Fixed Bar		1
31	TS-1540031	Hex Nut	M5	3
32	SP050400	Pan Head Screw	M5 x 20	3
33	JWSS10-33	Set screw	M8 x 6	2
34	200412	Guide Bar		1
35	200156	Guide Ring		1
36	SN069200	Countersunk Head Screw	M6 x 8	1
37	200409	Miter Gauge Fence		1
38	200416	Miter Gauge Body		1
39	200417	Locking Handle	M6 x 28	1
40	200086	Steel Pin		1
41	200160	Pointer		1
42	TS-1522011	Set Screw	M5 x 5	1
43	200158	Locating Piece		1
44	PS030800	Spring Pin	3 x 8	1
45	SR101800	Socket Head Cap Screw	M10 x 90	4
46	TS-1551071	Lock Washer	M10	4
47	TS-1550071	Flat Washer	M10	4
48	200398	Extension Wing w/ Miter Slot (L)		1
49	200323	Table Insert		1
50	TS-1523031	Set Screw	M6 x 10	4
51	TS-155110	Lock Washer	M16	1
52	TS-2310162	Hex Nut	M16 x 1.5	1
53	290136	Guard Rod		1
54	290137	Guard Rod Bracket		1
55	290135	Splitter Bracket		1
56	TS-1490061	Hex Head Screw	M8 x 35	2
57	TS-1523031	Set Screw	M6x10	2
58	JWSS10-104	ON/OFF Switch Assembly		1
58a	996001	Power Light Assembly		1
58b	ST039904	Self Tapping Screw	M3.5 x 32	2
58c	200355	Switch Cover Assembly		1
58d	170242	Breaker Switch		1
58e	SP049200	Pan Head Screw	M4 x 8	2

Table Assembly

Index No.	Part No.	Description	Size	Qty
58f	200353	Switch Bracket		1
58g	200354	Switch Box		1
58h	998623	Strain Relief	6W3-4S	2
58i	TS-1540041	Hex Nut	M6	2
58j	TS-1550041	Flat Washer	M6	2
58k	TS-1482011	Hex Head Screw	M6 x 10	2
58l	IC290002	Switch Cord		1
58m	TS-1550021	Flat Washer	M4	2
59	SC080700	Carriage Bolt	M8 x 35	2
60	TS-1540061	Hex Nut	M8	1
61	ST049200	Tapping Screw	.M4X8	6
62	TS-1533052	Pan Head Screw	M5X16	1
63	JWSS10CS-63	Cord Clamp		1
64	TS-1482031	Hex Head Screw	M6X16	1
	JWSS10-MGA	Miter Gauge Assembly		1

Table Assembly



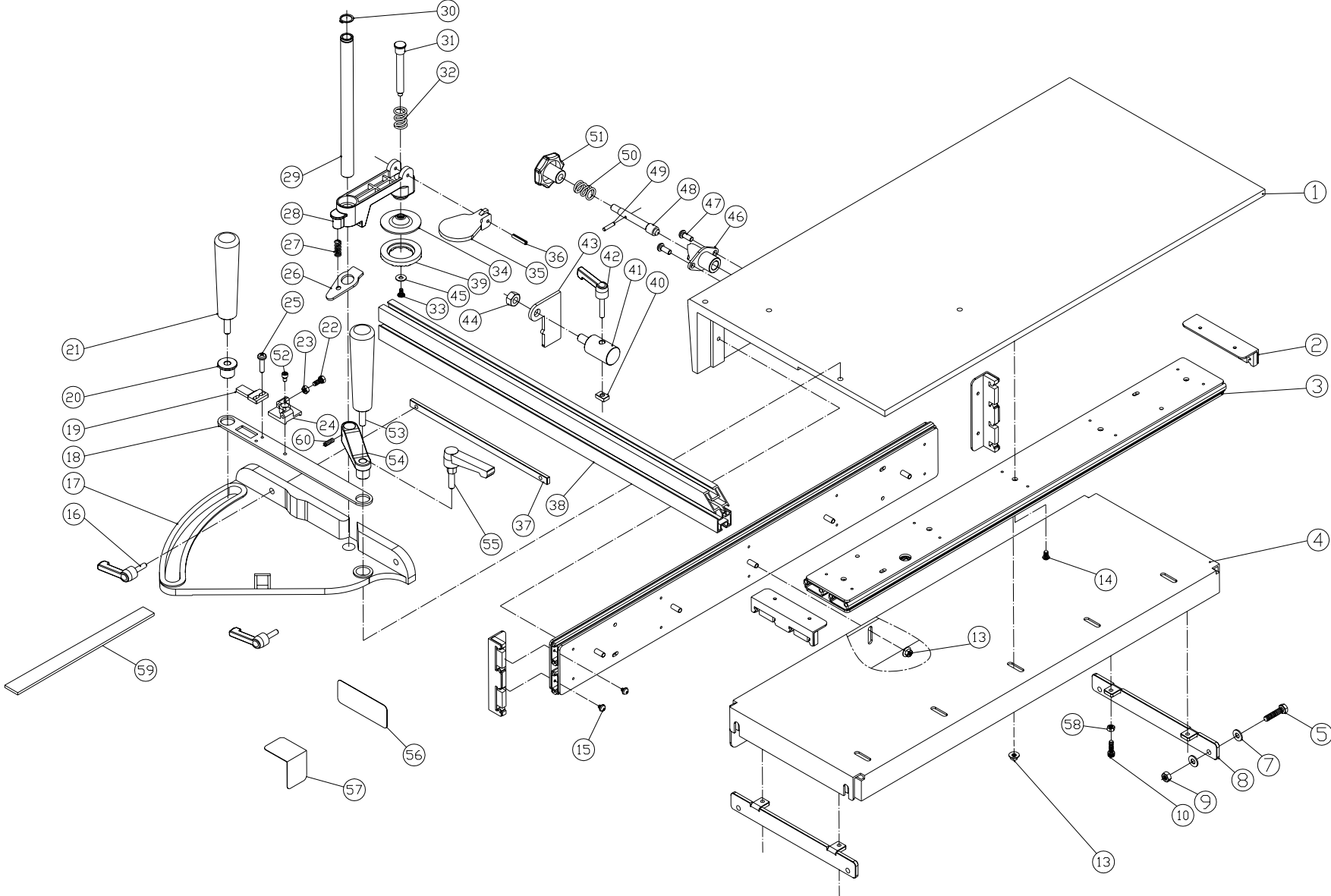
Sliding Table Assembly

Index No.	Part No.	Description	Size	Qty
1	200364	Sliding Table		1
2	200411	Wiper Bracket w/Wiper		4
3	200333	Sliding Rail		2
4	200365	Sliding Table Plate		1
5	TS-1490041	Hex Head Screw	M8 x 25	4
6	TS-1551021	Lock Washer	M4	8
7	TS-1550061	Flat Washer	M8	8
8	200363	Adjustable Plate		2
9	TS-1540061	Hex Nut	M8	4
10	TS-1503061	Hex Socket Head Screw	M6 x 25	4
11	TS-1550041	Flat Washer	M6	10
12	TS-1551041	Lock Washer	M6	10
13	TS-1540041	Hex Nut	M6	10
14	SJ069200	Socket Head Screw	M6 x 8	10
15	SP049200	Pan Head Screw	M4 x 8	8
16	200414	Locking Handle	M6 x 22	2
17	200334	Miter Gauge Body		1
18	200336	Indicator Bar		1
19	200337	Cursor		1
20	200335	Bushing		1
21	200433	Handle	M10 x 33	1
22	SH050400	Hex Head Screw	M5 x 20	2
23	TS-1540031	Hex Nut	M5	2
24	200344	Stop Block		1
25	SP049200	Pan Head Screw	M4 x 8	2
26	200351	Quick Release		1
27	200377	Spring		1
28	200349	Clamp Body		1
29	200340	Support Shaft		1
30	RS160000	Retaining Ring	S16	1
31	200348	Clamp Rod		1
32	200376	Spring		1
33	SF059200	Pan Head Screw w/Flange	M5 x 8	1
34	200347	Clamp Disc		1
35	200350	Clamp Lever		1
36	PS042800	Spring Pin	4 x 28	1
37	200338	Bar		1
38	200345	Miter Fence		1
39	JWSS10-39	Locate Plate		1
40	NS061000	Square Nut	M6	1
41	200343	Locate Shaft		1
42	200415	Locking Handle	M6 x 30	1
43	200342	Fence Stop		1
44	TS-1541041	Nylon Lock Nut	M10	1
45	TS-1550031	Flat Washer	M5	1
46	200326	Flange		1
47	SJ069300	Socket Head Screw	M6 x 12	2
48	200328	Locating Shaft		1
49	PP030000	Pin	3 x 30	1
50	200379	Spring		1
51	JWSS10-51	Knob	M8	1
52	SR050200	Hex Socket Screw	M5 x 10	1
53	200433	Handle	M10 x 33	1
54	200358A	Bracket		1
55	200426	Lock Knob	M10 x 33	1
56	200375	Adjustable Plate	0.02"	2

Sliding Table Assembly

Index No.	Part No.	Description	Size	Qty
57	200374	90° Adjustable Plate	0.02"	2
58	NH061000	Nut	M6	4
59	200430	Block		1
60	TS-1522021	Set Screw	M5 x 8	1
	LM000633	Angle Label (not shown)		1
	JWSS10-STMGC	Sliding Table Miter Gauge Complete		1
	AH200364	Hardware Kit (not shown)		1

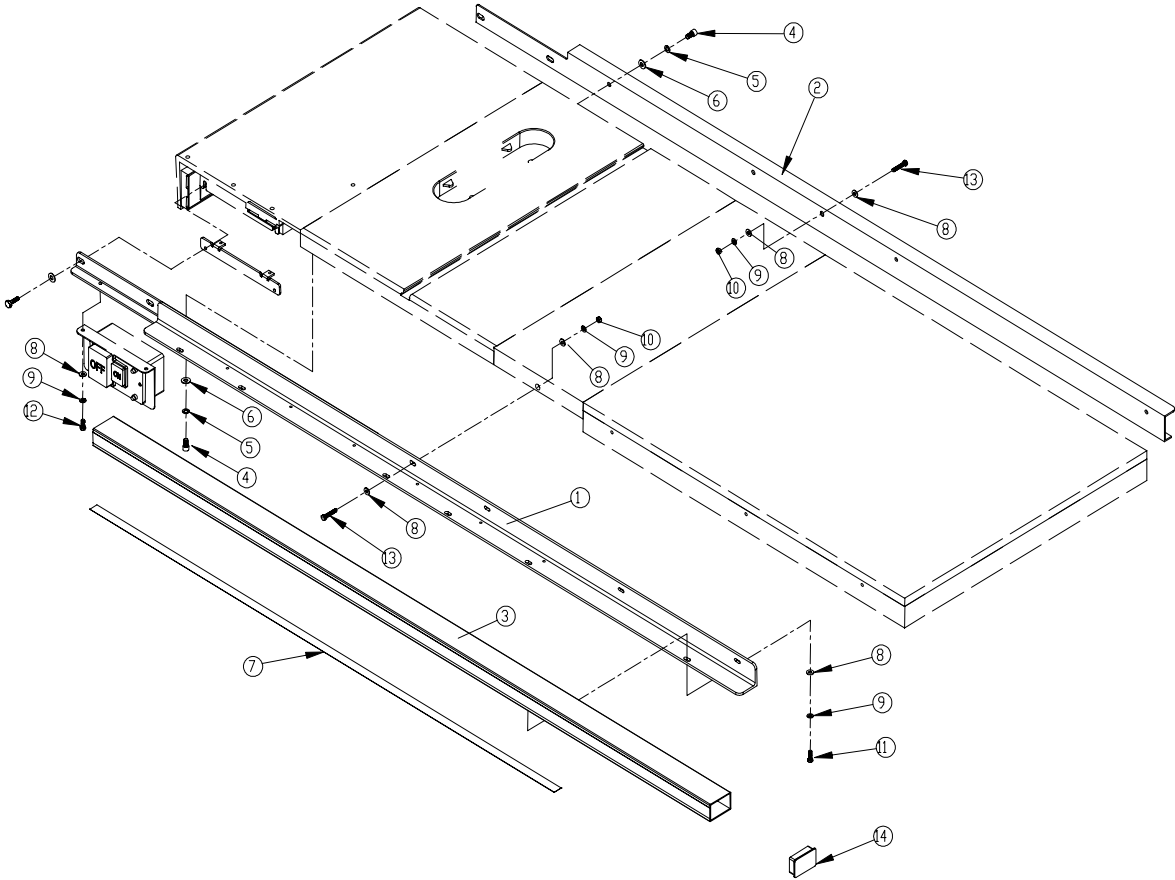
Sliding Table Assembly



Rail Assembly

Index No.	Part No.	Description	Size	Qty
	708783Z	Rail Assembly - Standard (30")		1
	708782Z	Rail Assembly - Long Table (52")		1
1	SSX2-201	Front Fence Rail - Standard (30")		1
	SSX2-201A	Front Fence Rail - Long Table (52")		1
2	200362	Back Fence Rail - Standard (30")		1
	200429	Back Fence Rail - Long Table (52")		1
3	SSX2-203	Front Fence Guide - Standard	30"	1
	SSX2-203A	Front Fence Guide - Long Table	52"	1
4	TS-1504031	Socket Head Cap Screw	M8 × 16	4
5	TS-1551061	Lock Washer	M8	4
6	TS-1550061	Flat Washer	M8	4
7	XF2-207	Scale (52" rail)		1
	XF2-207A	Scale (30" rail)		1
8	TS-0680021	Flat Washer, 1/4"	(30" rail)	19
	TS-0680021	Flat Washer, 1/4"	(52" rail)	23
9	TS-0720071	Lock Washer, 1/4"	(30" rail)	13
	TS-0720071	Lock Washer, 1/4"	(52" rail)	16
10	TS-0561011	Hex Nut, 1/4"-20	(30" rail)	6
	TS-0561011	Hex Nut, 1/4"-20	(52" rail)	7
11	TS-0050031	Hex Cap Screw, 1/4"-20 × 3/4"	(30" rail)	5
	TS-0050031	Hex Cap Screw, 1/4"-20 × 3/4"	(52" rail)	7
12	TS-0050011	Hex Cap Screw, 1/4"-20 × 1/2"		2
13	TS-0050071	Hex Cap Screw, 1/4"-20 × 1-1/2"	(30" rail)	6
	TS-0050071	Hex Cap Screw, 1/4"-20 × 1-1/2"	(52" rail)	7
14	HF2-103	Cap Plug		2
15	SSX2-215	Hardware Kit (Standard) (not show)		1
	SSX2-215A	Hardware Kit (Long Table) (not show)		1

Rail Assembly



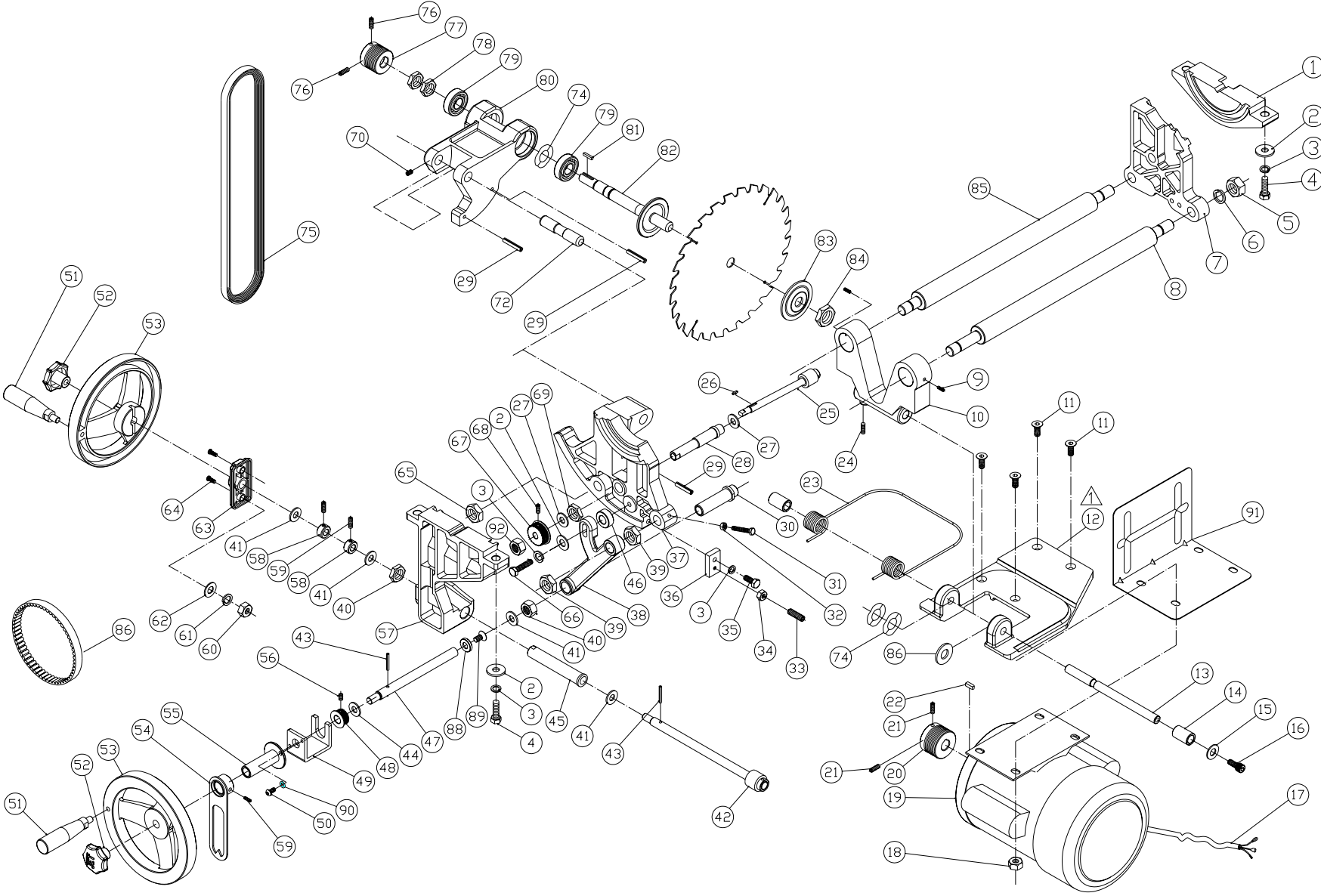
Motor & Trunnion Parts List

Index No.	Part No.	Description	Size	Qty
1	200310	Rear Trunnion Bracket		1
2	TS-1550061	Flat Washer	M8	9
3	TS-1551061	Lock Washer	M8	10
4	TS-1490051	Hex Head Screw	M8 x 30	4
5	TS-2310162	Hex Nut	M16 x 1.5	2
6	WS160000	Lock Washer	M16	2
7	200306	Rear Trunnion		1
8	200311	Connecting Shaft		1
9	TS-1523031	Set Screw	M6 x 10	3
10	200313	Motor Bracket		1
11	JWSS10-611	Countersunk Head Screw	M8X25	4
12	200327	Motor Plate		1
13	200329	Motor Plate Shaft		1
14	200357	Spring Bushing		2
15	TS-1550061	Flat Washer	M8	2
16	SR089400	Countersunk Head Bolt	M8 x 16	2
17	IM290001	Motor Cord		1
18	NF081300	Flange Nut	M8	4
19	MA290001	Motor	1-3/4 HP	1
	MF290011	Motor Fan (not shown)		1
	MF290012	Motor Fan Cover (not shown)		1
	994602A	Centrifugal Switch Assembly (not shown)		1
	CA030010	Starting Capacitor (not shown)	300MFD, 125VAC	1
	CA005020	Running Capacitor (not shown)	50uF, 250VAC	1
	CA030011	Capacitor Cover (not shown)		2
20	200309	Motor Pulley		1
21	TS-1523031	Set Screw	M6 x 10	2
22	KP050540	Key	5 x 5 x 40	1
23	200420	Torsion Spring		1
24	TS-1523031	Set Screw	M6 x 10	2
25	200446	Elevating Worm		1
26	KD030310	Key	3 x 3 x 12	1
27	200069	Fiber Washer		2
28	200366	Eccentric Shaft		1
29	PP0502400	Spring Pin	5 x 24	1
30	200367	Bushing		1
31	SS061000	Set Screw	M6 x 50	1
32	TS-1540061	Hex Nut	M8	1
33	SS060600	Set Screw	M6 x 30	1
34	TS-1540041	Hex Nut	M6	1
35	TS-1482041	Hex Head Screw	M6 x 20	1
36	200061	Locating Block		1
37	200305	Front Trunnion		1
38	200368	Bracket		1
39	NH162405	Nut	M16 x 1.5	2
40	NH182601	Nut	M18 x 1.5	2
41	200423	Fiber Washer		3
42	200314	Tilt Worm		1
43	PS043000	Spring Pin	4 x 30	2
44	200422	Fiber Washer		1
45	200315	Eccentric Shaft (Long)		1
46	JWSS10-46	Washer		1
47	200369	Raising Shaft		1
48	200445	Timing Pulley	23T	1
49	200380	Pressure Block		1
50	SR050200	Hex Socket Screw	M5 x 10	2

Motor & Trunnion Parts List

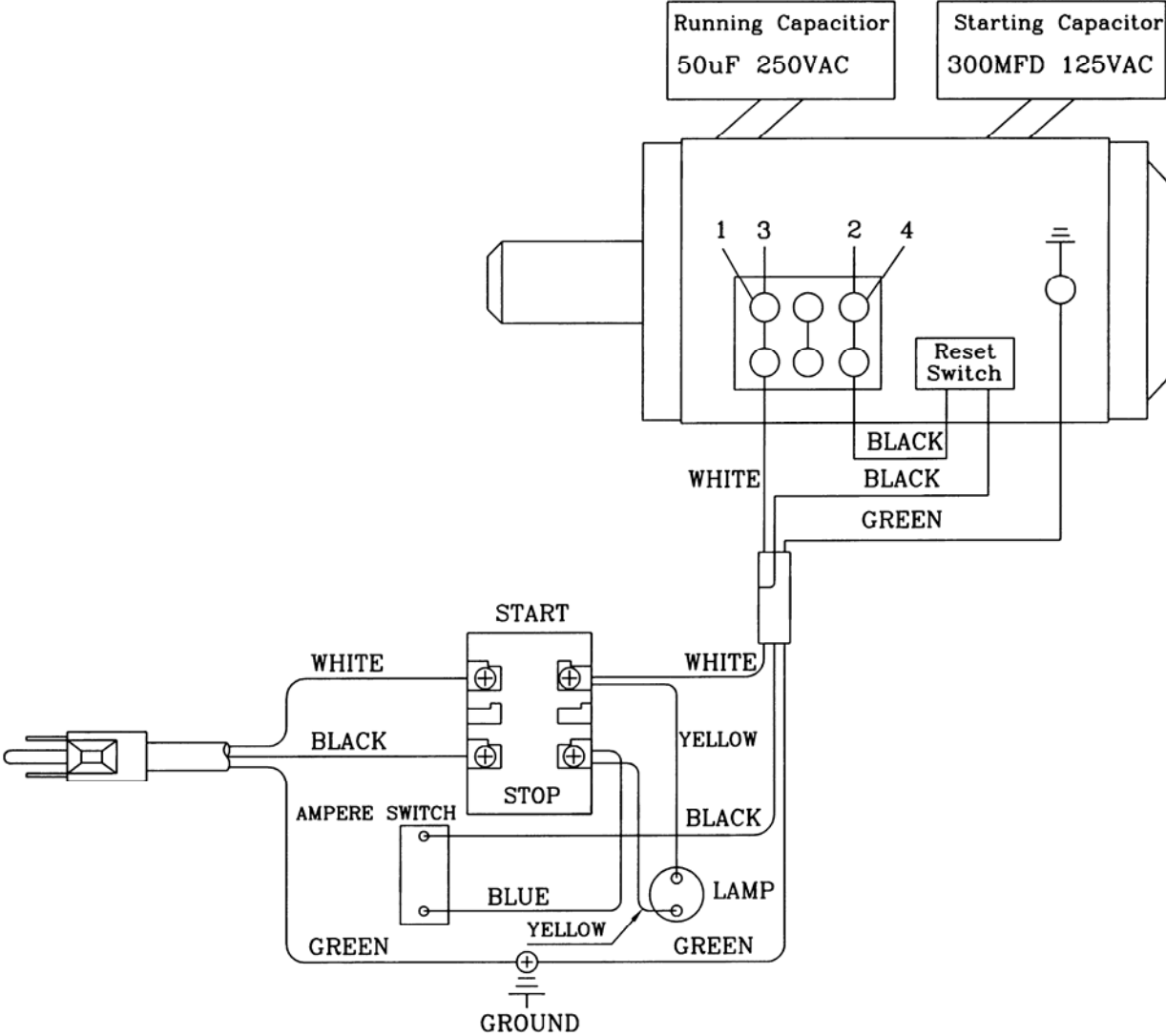
Index No.	Part No.	Description	Size	Qty
51	200404	Handle		2
52	150045	Knob	M10	2
53	200403	Hand Wheel		2
54	200382	Pointer		1
55	200381	Spacer		1
56	TS-1522021	Socket Set Screw	M5x8	2
57	200312	Front Trunnion Bracket		1
58	200410	Collar		2
59	SS069200	Set Screw	M6 x 8	2
60	TS-1540061	Hex Nut	M8	2
61	TS-1551061	Lock Washer	M8	2
62	TS-1550061	Flat Washer	M8	2
63	200418	Bearing Bracket		1
64	JWSS10-64	Pan Head Screw	M8 x 20	2
65	TS-2310162	Hex Nut	M16 x 1.5	1
66	TS-1490071	Hex Head Screw	M8 x 40	1
67	200444	Timing Pulley	23T	1
68	TS-1522021	Socket Set Screw	M5 x 8	2
69	TS-2310162	Hex Nut	M16 x 1.5	1
70	TS-1523021	Set Screw	M6 x 8	1
71	PS052400	Spring Pin	5 x 24	1
72	200109	Arbor Bracket Shaft		1
74	WW183205	Wave Washer	18 x 32	4
75	VB-270J8	Poly V-Belt	270J8	1
76	TS-1523031	Set Screw	M6 x 10	2
77	200308	Arbor Pulley		1
78	NH162406	Hex Nut	M16 x 1.5	2
79	BB-6203LLU	Ball Bearing	6203LLU	2
80	200302	Arbor Bracket		1
81	KS050530	Key	5 x 5 x 30	1
82	200303	Arbor		1
83	200102	Flange		1
84	991459	Nut	ACM 8/5" x 12	1
85	200307	Connecting Shaft		1
86	993110	Timing Belt	390-5T-10	1
87	WF132625	Flat Washer	M13 x 26	1
88	200156	Washer		1
89	JWSS10-89	Countersunk Head Bolt	M6 x 10	1
90	TS-1551031	Lock Washer	M5	2
91	JWSS10-691	Pulley Guard		1
92	TS-1541031	Nylon Lock Nut	M8	1

Motor & Trunion Assembly



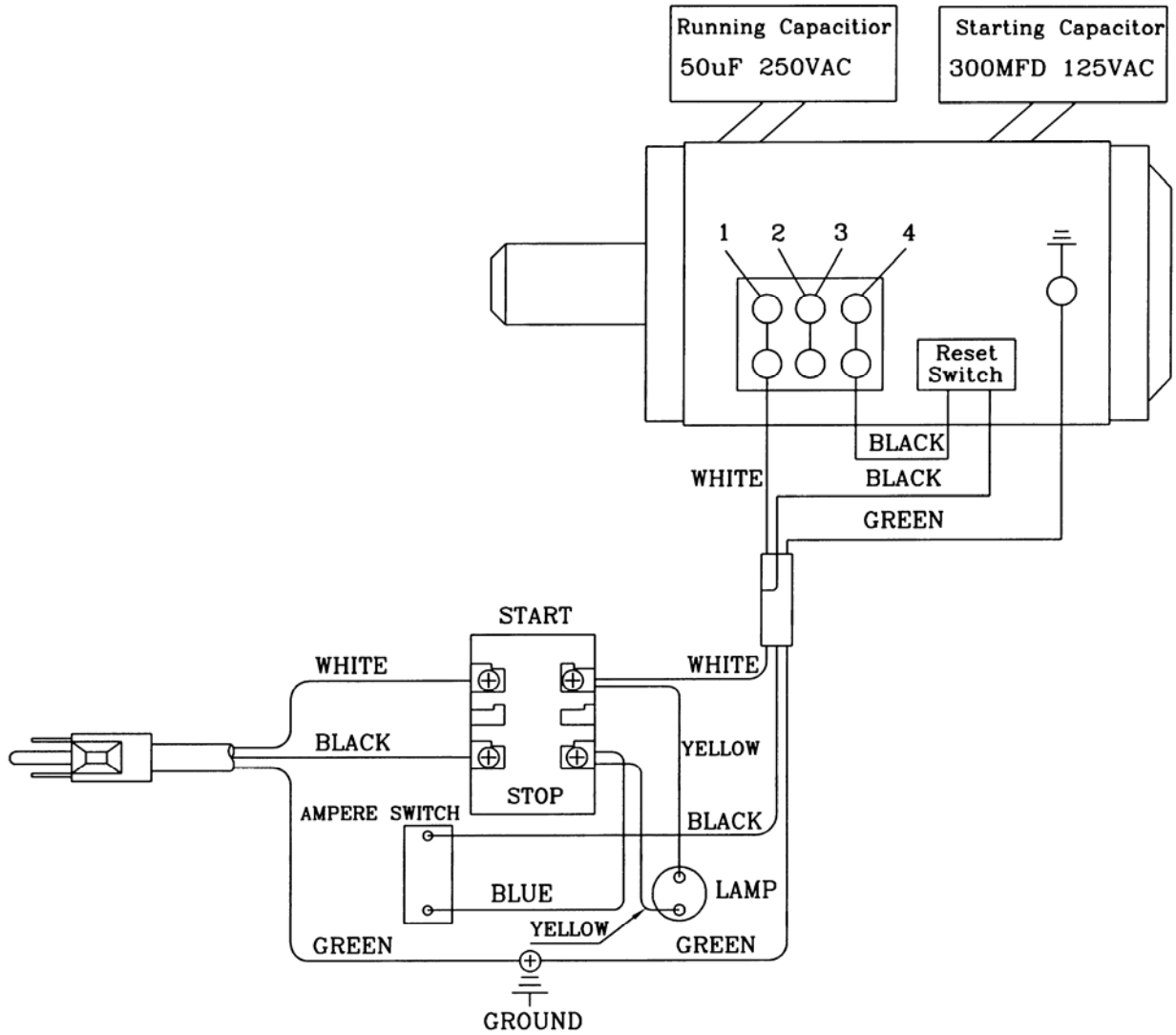
Wiring Diagrams

115V Wiring



1-3/4 HP, 1 Ph, 115V use 10 Ga Wire and 30 Amp Breaker

230V Wiring



1-3/4 HP, 1 Ph, 230V use 14 Ga Wire and 20 Amp Breaker

JET[®]

WMH Tool Group
2420 Vantage Drive
Elgin, Illinois 60124
Phone: 800-274-6848
www.wmhtoolgroup.com